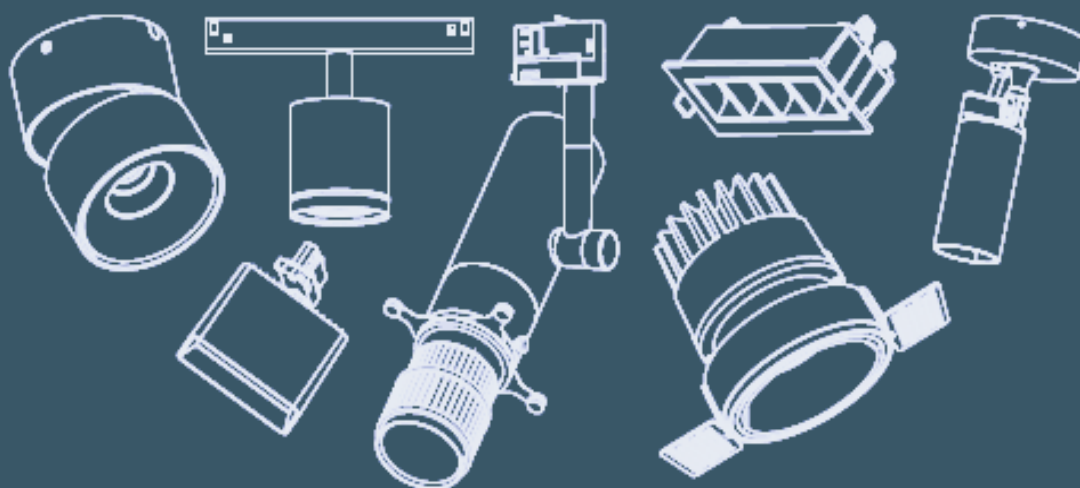


2024



# LED LIGHTING

Design & Manufacture



avera LIGHTING AND ENERGY

*General Catalogue*

# CONTENT

---

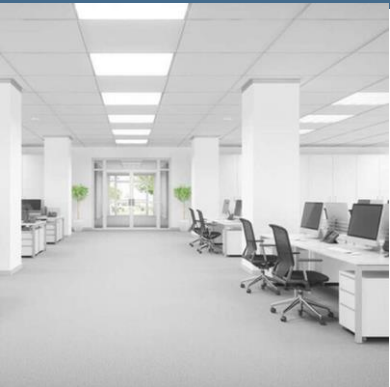
INDOOR LIGHTING LUMINAIRES	...5
Recessed Mounted Backlight Office Luminaires	...6
HND LED PANEL SERIES	...6
HND-X LED PANEL SERIES	...8
HND-STERIL PANEL SERIES	...10
HND-INDRECT PANEL SERIES	...12
Surface Mounted Backlight Office Luminaires	...14
BGM LED PANEL SERIES	...14
BGM-STERIL PANEL SERIES	...16
Architectural Decorative Luminaires	...18
NILA LINEAR SERIES	...18
NILA-RECESSED LINEAR SERIES	...20
NILA-SQUARE LINEAR SERIES	...22
NILA-ROUND LINEAR SERIES	...24
NILA-CIRCLE LINEAR SERIES	...26
Downlights Luminaires	...28
ARYA DOWNLIGHT SERIES	...28
ARYA-X DOWNLIGHT SERIES	...30
ARYA-SLIM DOWNLIGHT SERIES	...32
ARYA-COB DOWNLIGHT SERIES	...34
ARYA-RETRACTABLE DOWNLIGHT SERIES	...36

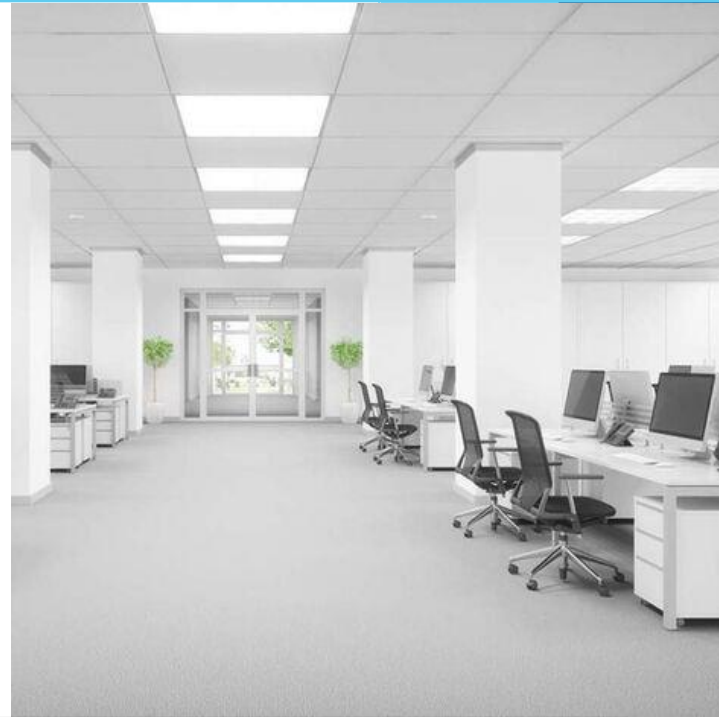
Surface Mounted Downlights Luminaires	...38
GMZ DOWNLIGHT SERIES	...38
Ceiling Luminaires	...40
DORA GLOP SERIES	...40
<b>INDUSTRIAL LIGHTING LUMINAIRES</b>	...42
<hr/>	
Waterproof Industrial Lighting Luminaires	...43
BRLS WATERPROOF SERIES	...43
BRLS-PRO WATERPROOF SERIES	...45
BRLS-A1 WATERPROOF SERIES	...47
BRLS-A2 WATERPROOF SERIES	...49
HighBay Industrial Lighting Luminaires	...51
TONA HIGHBAY SERIES	...51
TONA-S HIGHBAY SERIES	...53
TONA-L HIGHBAY SERIES	...55
FORA HIGHBAY SERIES	...57
FORA-UFO1 HIGHBAY SERIES	...59
FORA-UFO2 HIGHBAY SERIES	...61
<b>OUTDOOR LIGHTING LUMINAIRES</b>	...63
<hr/>	
Floodlights Luminaires	...64
LUNA FLOODLIGHT SERIES	...64
LUNA-PRO FLOODLIGHT SERIES	...66

Wallwasher Facede Luminaires	...68
HARI WALLWASHER SERIES	...68
Ledbar Facede Luminaires	...70
MILA LEDBAR SERIES	...70
Streetlight Luminaires	...72
PLANE STREETLIGHT SERIES	...72
PLANE-S STREETLIGHT SERIES	...74
Park and Garden Luminaires	...76
REXA GARDEN LIGHT SERIES	...76
REXA-S GARDEN LIGHT SERIES	...78
Canopy Luminaires	...80
SENA CANOPY SERIES	...80



# INDOOR LIGHTING LUMINAIRES





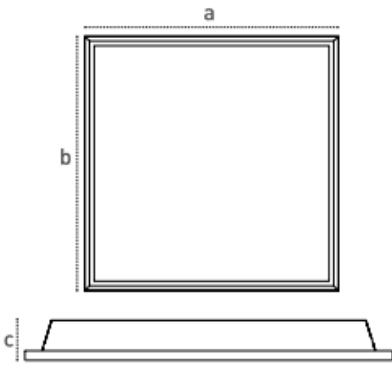
Mechanical Specifications		Optical Specifications	
Body	Metal	Light Source	MidPower Led
Ip Rating	IP40 (Optional IP44 and IP54)	Reflector	-
IK Rating Body	IK 06	Lens	-
Ral Code	RAL 9016	Diffuser	Opal
Cable Gland	-	CRI	>80
Cable	0,75 mm2	Colour Temperature	3000K / 4000K / 6500K
Fire Protection	650°C	Photobiological Risk Group	RG1
Mounting Type	Recessed Mounting	Beam angle	160°
Electrical Specifications		Options	
Input Voltage	220-240 VAC	DALI	✓
Power Factor	>0.95	1-10 V	✓
System Lifetime	50000h	1 Hour Emergency Kit	✓
Class	I	3 Hour Emergency Kit	✓
Operating Temperature	-20°C / +45°C	Microvave Sensor	-
Standards	LM79/LM80	Another Mounting Type	Surface-Mounted Apparatus

ERP Code	Ceiling Type	Power(W)	Efficiency(l m/W)	Luminous Flux(lm)	Colour Temp.	Dimensions (mm)	Cut Size(mm)	Pcs/Pack	Pack Weight(kg)	Accessory
1910001	Rock Wool	36W	115	4140	3000K / 4000K / 6500K	595x595x33		10	15	
1910002	Plaster Ceiling	36W	115	4140	3000K / 4000K / 6500K	595x595x33	570x570	10	15	Spring Acc.
1910003	Clip-in	36W	115	4140	3000K / 4000K / 6500K	600x600x33		10	17	
1910004	Rock Wool	20W	105	2100	3000K / 4000K / 6500K	295x295x33		20	9	
1910005	Plaster Ceiling	20W	105	2100	3000K / 4000K / 6500K	295x295x33	270x270	20	9	Spring Acc.
1910006	Clip-in	20W	105	2100	3000K / 4000K / 6500K	300x300x33		20	10	

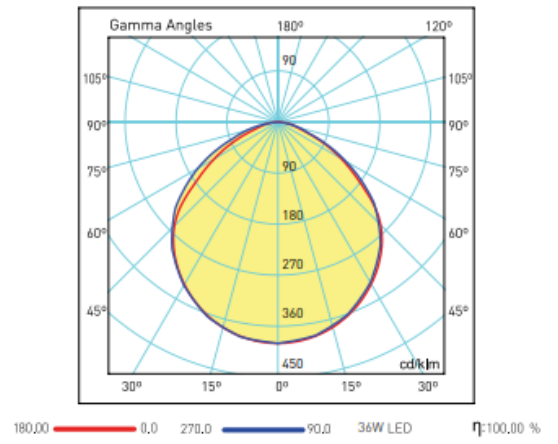




**Technical Drawing**  
Teknik Çizim



**Light Distribution Curve**  
Işık Şiddeti Dağılım Eğrisi





Mechanical Specifications		Optical Specifications	
Body	Metal	Light Source	MidPower Led
Ip Rating	IP40 (Optional IP44 and IP54)	Reflector	-
IK Rating Body	IK 06	Lens	-
Ral Code	RAL 9016	Diffuser	Opal
Cable Gland	-	CRI	>80
Cable	0,75 mm <sup>2</sup>	Colour Temperature	3000K / 4000K / 6500K
Fire Protection	650°C	Photobiological Risk Group	RG1
Mounting Type	Recessed Mounting	Beam angle	120°
Electrical Specifications		Options	
Input Voltage	220-240 VAC	DALI	✓
Power Factor	>0.95	1-10 V	✓
System Lifetime	50000h	1 Hour Emergency Kit	✓
Class	I	3 Hour Emergency Kit	✓
Operating Temperature	-20°C / +45°C	Microvave Sensor	✓
Standards	LM79/LM80	Another Mounting Type	

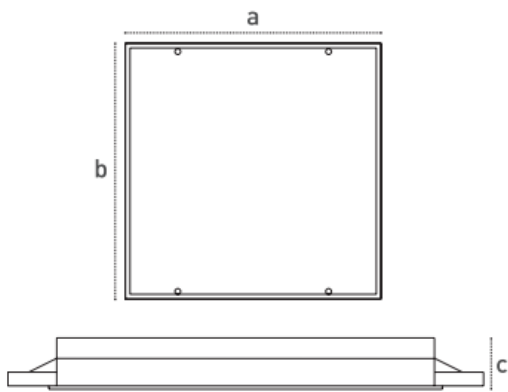
ERP Code	Ceiling Type	Power(W)	Efficiency(l m/W)	Luminous Flux(lm)	Colour Temp.	Dimensions (mm)	Cut Size	Pcs/Pack	Pack Weight(kg)	Accessory
1910007	Rock Wool	36W	130	4680	3000K / 4000K / 6500K	595x595x63		5	15,5	
1910008	Plaster Ceiling	36W	130	4680	3000K / 4000K / 6500K	595x595x63	570x570	5	15,5	Spring Acc.
1910009	Clip-in	36W	130	4680	3000K / 4000K / 6500K	600x600x63		5	17,5	
19100010	Rock Wool	18W	130	2340	3000K / 4000K / 6500K	295x295x53		10	10	
1910011	Plaster Ceiling	18W	130	2340	3000K / 4000K / 6500K	295x295x53	270x270	10	10	Spring Acc.
1910012	Clip-in	18W	130	2340	3000K / 4000K / 6500K	300x300x53		10	11	



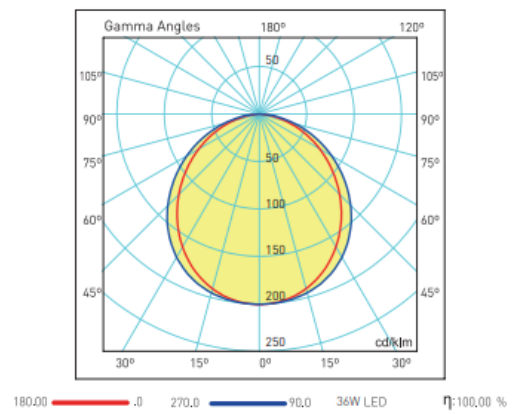




**Technical Drawing**  
Teknik Çizim



**Light Distribution Curve**  
Işık Şiddeti Dağılım Eğrisi





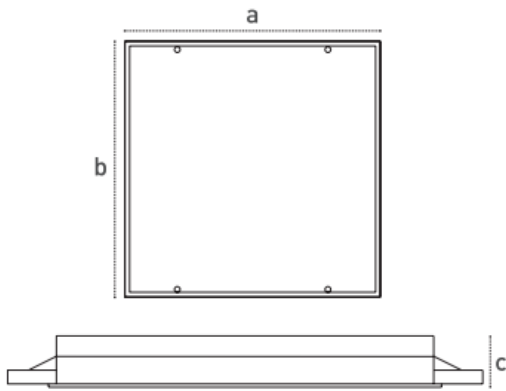
Mechanical Specifications		Optical Specifications	
Body	Metal	Light Source	MidPower Led
Ip Rating	IP65	Reflector	-
IK Rating Body	IK 08	Lens	-
Ral Code	RAL 9016	Diffuser	Tempered Glass
Cable Gland	-	CRI	>80
Cable	3x0,75 mm <sup>2</sup>	Colour Temperature	3000K / 4000K / 6500K
Fire Protection	650°C	Photobiological Risk Group	RG1
Mounting Type	Recessed Mounting	Beam angle	120°
Electrical Specifications		Options	
Input Voltage	220-240 VAC	DALI	✓
Power Factor	>0.95	1-10 V	✓
System Lifetime	50000h	1 Hour Emergency Kit	✓
Class	I	3 Hour Emergency Kit	✓
Operating Temperature	-20°C / +45°C	Microvave Sensor	
Standards	LM79/LM80	Another Mounting Type	

ERP Code	Ceiling Type	Power(W)	Efficiency(l m/W)	Luminous Flux(lm)	Colour Temp.	Dimensions (mm)	Cut Size	Pcs/Pack	Pack Weight(kg)	Accessory
1910013	Rock Wool	36W	110	3960	3000K / 4000K / 6500K	595x595x73		3	21	
1910014	Plaster Ceiling	36W	110	3960	3000K / 4000K / 6500K	595x595x73	570x570	3	21	
1910015	Rock Wool	48W	100	4800	3000K / 4000K / 6500K	595x595x73		3	21	
1910016	Plaster Ceiling	48W	100	4800	3000K / 4000K / 6500K	595x595x73	570x570	3	21	

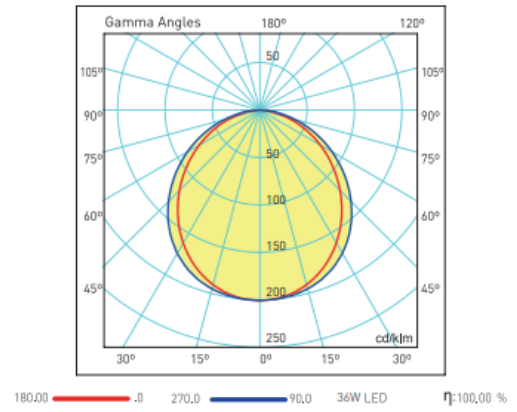




**Technical Drawing**  
Teknik Çizim



**Light Distribution Curve**  
Işık Şiddeti Dağılım Eğrisi





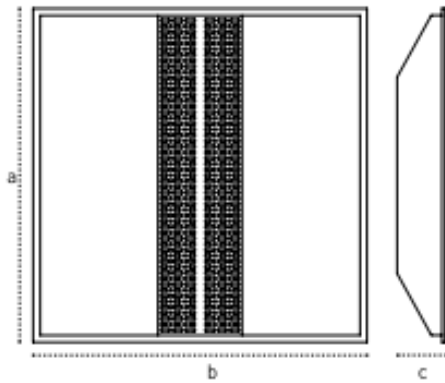
Mechanical Specifications		Optical Specifications	
Body	Metal	Light Source	MidPower Led
Ip Rating	IP40	Reflector	-
IK Rating Body	IK 06	Lens	-
Ral Code	RAL 9016	Diffuser	Opal
Cable Gland	-	CRI	>80
Cable	0,75 mm <sup>2</sup>	Colour Temperature	3000K / 4000K / 6500K
Fire Protection	650°C	Photobiological Risk Group	RG1
Mounting Type	Recessed Mounting	Beam angle	165°
Electrical Specifications		Options	
Input Voltage	220-240 VAC	DALI	✓
Power Factor	>0.95	1-10 V	✓
System Lifetime	50000h	1 Hour Emergency Kit	✓
Class	I	3 Hour Emergency Kit	✓
Operating Temperature	-20°C / +45°C	Microvave Sensor	
Standards	LM79/LM80	Another Mounting Type	

ERP Code	Ceiling Type	Power(W)	Efficiency(l m/W)	Luminous Flux(lm)	Colour Temp.	Dimensions (mm)	Cut Size	Pcs/Pack	Pack Weight(kg)	Accessory
1910017	Rock Wool	36W	80	2880	3000K / 4000K / 6500K	595x595x63		5	15,5	
1910018	Plaster Ceiling	36W	80	2880	3000K / 4000K / 6500K	595x595x63	570x570	5	15,5	Spring Acc.
1910019	Clip-in	36W	80	2880	3000K / 4000K / 6500K	600x600x63		5	17,5	
1910020	Rock Wool	45W	80	3600	3000K / 4000K / 6500K	595x595x63		5	16	
1910021	Plaster Ceiling	45W	80	3600	3000K / 4000K / 6500K	595x595x63	570x570	5	16	Spring Acc.
1910022	Clip-in	45W	80	3600	3000K / 4000K / 6500K	600x600x63		5	18	

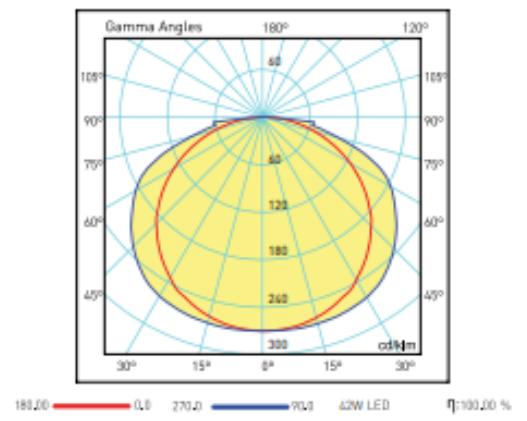


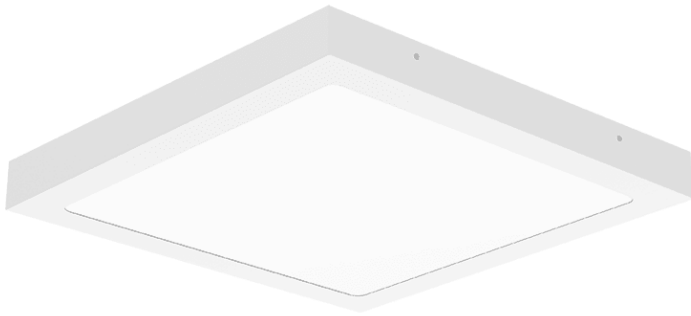


**Technical Drawing**  
Teknik Çizim



**Light Distribution Curve**  
Işık Şiddeti Dağılım Eğrisi





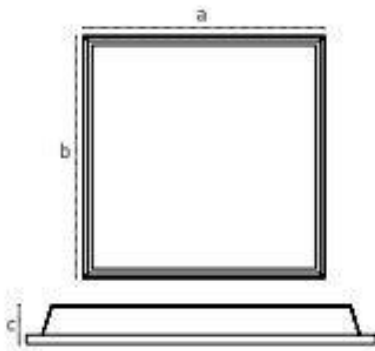
Mechanical Specifications		Optical Specifications	
Body	Metal	Light Source	MidPower Led
Ip Rating	IP40	Reflector	-
IK Rating Body	IK 06	Lens	-
Ral Code	RAL 9016	Diffuser	Opal
Cable Gland	-	CRI	>80
Cable	0,75mm <sup>2</sup>	Colour Temperature	3000K / 4000K / 6500K
Fire Protection	650°C	Photobiological Risk Group	RG1
Mounting Type	Surface Mounting	Beam angle	120°
Electrical Specifications		Options	
Input Voltage	220-240 VAC	DALI	✓
Power Factor	>0.95	1-10 V	✓
System Lifetime	50000h	1 Hour Emergency Kit	✓
Class	I	3 Hour Emergency Kit	✓
Operating Temperature	-20°C / +45°C	Microvave Sensor	✓
Standards	LM79/LM80	Another Mounting Type	

ERP Code	Ceiling Type	Power(W)	Efficiency(lm/W)	Luminous Flux(lm)	Colour Temp.	Dimensions (mm)	Cut Size	Pcs/Pack	Pack Weight(kg)	Accessory
1910023	Surface	36W	130	4680	3000K / 4000K / 6500K	600x600x60		5	15,5	
1910024	Surface	36W	130	4680	3000K / 4000K / 6500K	300x1200x60		5	18	
1910025	Surface	25W	130	3250	3000K / 4000K / 6500K	300x600x60		5	9,5	
1910026	Surface	15W	130	2340	3000K / 4000K / 6500K	300x300x60		10	14	

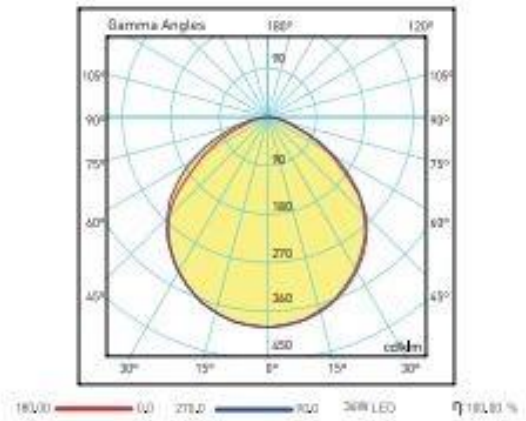




**Technical Drawing**  
Teknik Çizim:



**Light Distribution Curve**  
Işık Şiddeti Dağılım Eğrisi





Mechanical Specifications		Optical Specifications	
Body	Metal	Light Source	MidPower Led
Ip Raiting	IP65	Reflector	-
IK Rating Body	IK 08	Lens	-
Ral Code	RAL 9016	Diffuser	Tempered Glass
Cable Gland	-	CRI	>80
Cable	3x0.75 mm2	Colour Temperature	3000K / 4000K / 6500K
Fire Protection	650°C	Photobiological Risk Group	RG1
Mounting Type	Surface Mounting	Beam angle	120°
Electrical Specifications		Options	
Input Voltage	220-240 VAC	DALI	✓
Power Factor	>0.95	1-10 V	✓
System Lifetime	50000h	1 Hour Emergency Kit	✓
Class	I	3 Hour Emergency Kit	✓
Operating Temperature	-20°C / +45°C	Microvave Sensor	
Standards	LM79/LM80	Another Mounting Type	

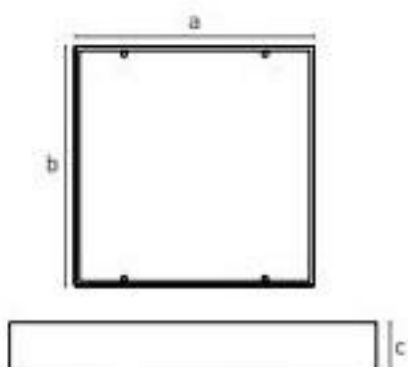
ERP Code	Ceiling Type	Power(W)	Efficiency(l m/W)	Luminous Flux(lm)	Colour Temp.	Dimensions (mm)	Cut Size	Pcs/Pack	Pack Weight(kg)	Accessory
1910027	Surface	36W	110	3960	3000K / 4000K / 6500K	600x600x70		5	37,5	
1910028	Surface	48W	105	5040	3000K / 4000K / 6500K	600x600x70		5	37,5	



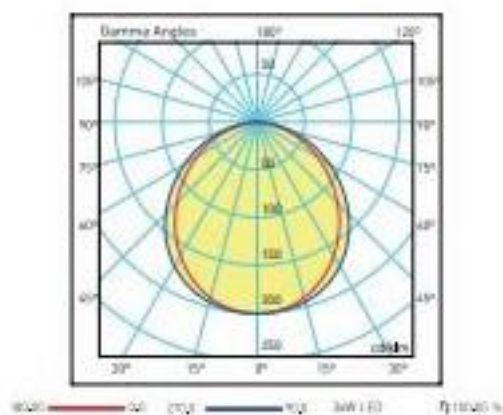




**Technical Drawing**  
Teknik Çizim



**Light Distribution Curve**  
Işık Şiddeti Dağılım Eğrisi





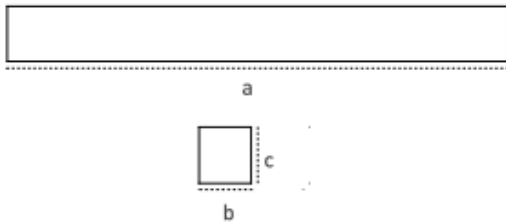
Mechanical Specifications		Optical Specifications	
Body	Aluminum	Light Source	MidPower Led
Ip Raiting	IP40	Reflector	-
IK Rating Body	IK 06	Lens	-
Ral Code	RAL 9005(Optional)	Diffuser	Opal
Cable Gland	-	CRI	>80
Cable	3x0.75 mm2	Colour Temperature	3000K / 4000K / 6500K
Fire Protection	650°C	Photobiological Risk Group	RG1
Mounting Type	Surface Mounting	Beam angle	120°
Electrical Specifications		Options	
Input Voltage	220-240 VAC	DALI	✓
Power Factor	>0.95	1-10 V	✓
System Lifetime	50000h	1 Hour Emergency Kit	✓
Class	I	3 Hour Emergency Kit	✓
Operating Temperature	-20°C / +45°C	Microvave Sensor	
Standards	LM79/LM80	Another Mounting Type	Hanging Wire

ERP Code	Ceiling Type	Power(W)	Efficiency(lm/W)	Luminous Flux(lm)	Colour Temp.	Dimensions (mm)	Cut Size	Pcs/Pack	Pack Weight(kg)	Accessory
1910029	Surface	36W	115	4680	3000K / 4000K / 6500K	50x80x1130		4	5,20	
1910030	Hanging	36W	115	4680	3000K / 4000K / 6500K	50x80x1130		4	5,20	Hanging Wire
1910031	Surface	50W	115	5750	3000K / 4000K / 6500K	50x80x1430		4	6,50	
1910032	Hanging	50W	115	5750	3000K / 4000K / 6500K	50x80x1430		4	6,50	Hanging Wire

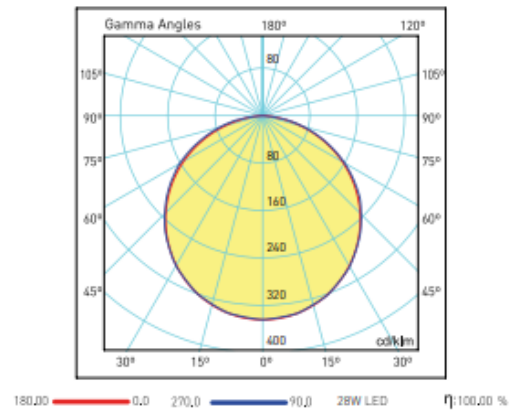


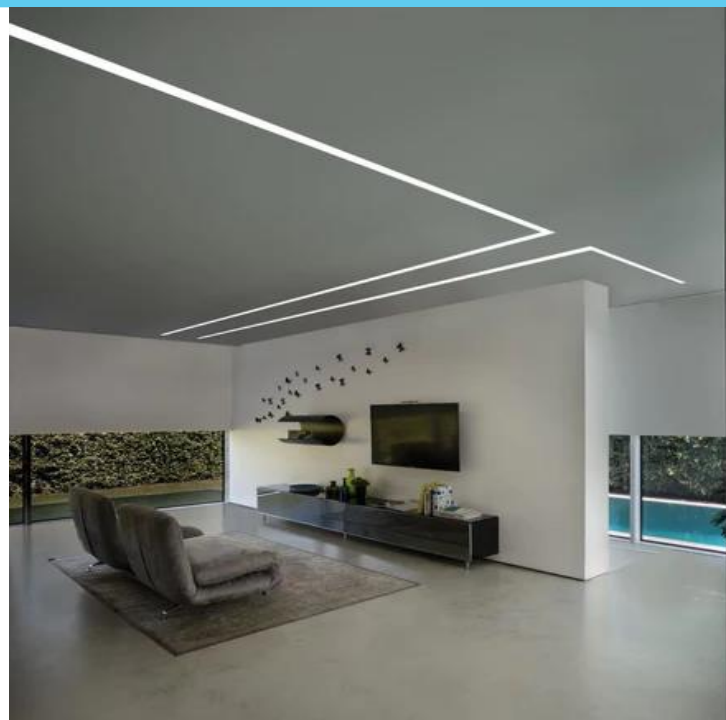


### Technical Drawing Teknik Çizim



### Light Distribution Curve Işık Şiddeti Dağılım Eğrisi





Mechanical Specifications		Optical Specifications	
Body	Aluminum	Light Source	MidPower Led
Ip Rating	IP40	Reflector	-
IK Rating Body	IK 06	Lens	-
Ral Code	RAL 9005(Optional)	Diffuser	Opal
Cable Gland	-	CRI	>80
Cable	3x0.75 mm <sup>2</sup>	Colour Temperature	3000K / 4000K / 6500K
Fire Protection	650°C	Photobiological Risk Group	RG1
Mounting Type	Recessed Mounting	Beam angle	120°
Electrical Specifications		Options	
Input Voltage	220-240 VAC	DALI	✓
Power Factor	>0.95	1-10 V	✓
System Lifetime	50000h	1 Hour Emergency Kit	✓
Class	I	3 Hour Emergency Kit	✓
Operating Temperature	-20°C / +45°C	Microvave Sensor	
Standards	LM79/LM80	Another Mounting Type	

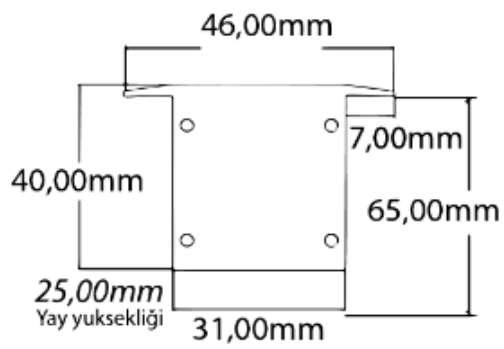
ERP Code	Ceiling Type	Power(W)	Efficiency(lm/W)	Luminous Flux(lm)	Colour Temp.	Dimensions (mm)	Cut Size	Pcs/Pack	Pack Weight(kg)	Accessory
1910033	Plaster Ceiling	36W	115	4680	3000K / 4000K / 6500K	35x50x1130		4	5,20	Spring Acc.
1910034	Plaster Ceiling	50W	115	5750	3000K / 4000K / 6500K	35x50x1430		4	6,50	Spring Acc.





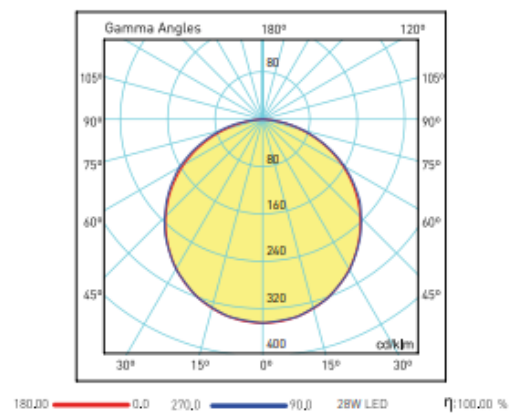
### Technical Drawing

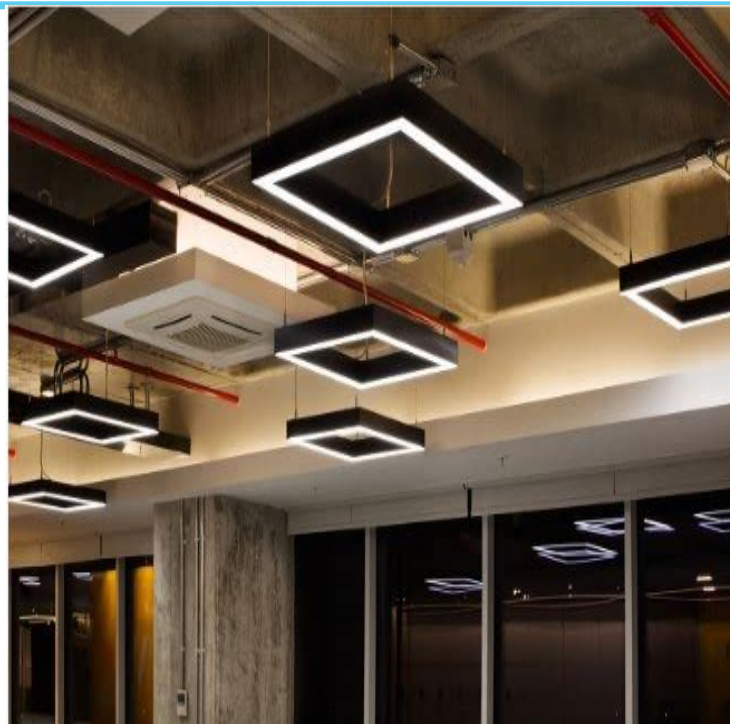
Teknik Çizim



### Light Distribution Curve

Işık Şiddeti Dağılım Eğrisi





Mechanical Specifications		Optical Specifications	
Body	Aluminum	Light Source	MidPower Led
Ip Rating	IP40	Reflector	-
IK Rating Body	IK 06	Lens	-
Ral Code	RAL 9005(Optional)	Diffuser	Opal
Cable Gland	-	CRI	>80
Cable	3x0.75 mm <sup>2</sup>	Colour Temperature	3000K / 4000K / 6500K
Fire Protection	650°C	Photobiological Risk Group	RG1
Mounting Type	Surface Mounting	Beam angle	120°
Electrical Specifications		Options	
Input Voltage	220-240 VAC	DALI	✓
Power Factor	>0.95	1-10 V	✓
System Lifetime	50000h	1 Hour Emergency Kit	✓
Class	I	3 Hour Emergency Kit	✓
Operating Temperature	-20°C / +45°C	Microvave Sensor	
Standards	LM79/LM80	Another Mounting Type	

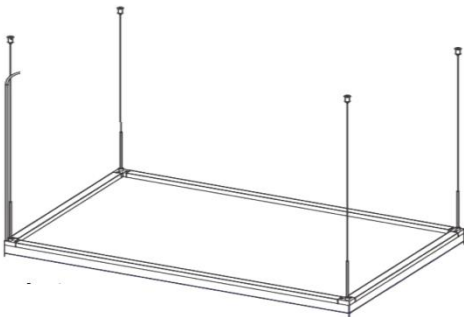
ERP Code	Ceiling Type	Power(W)	Efficiency(lm/W)	Luminous Flux(lm)	Colour Temp.	Dimensions (mm)	Cut Size	Pcs/Pack	Pack Weight(kg)	Accessory
1910035		80W	100	8000	3000K / 4000K / 6500K	600x600				Hanging Wire
1910036		120W	100	12000	3000K / 4000K / 6500K	600x1200				Hanging Wire
1910037		160W	100	16000	3000K / 4000K / 6500K	1200x1200				Hanging Wire
1910038		200W	100	20000	3000K / 4000K / 6500K	1200x1800				Hanging Wire





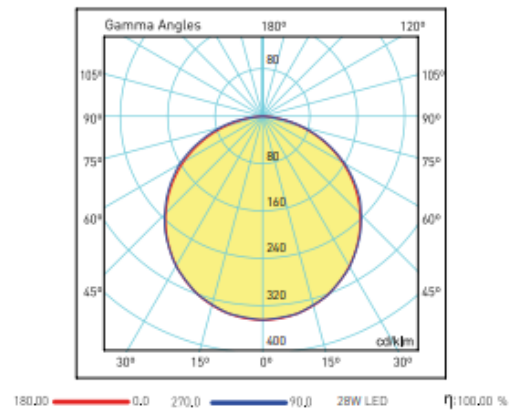
### Technical Drawing

Teknik Çizim



### Light Distribution Curve

Işık Şiddeti Dağılım Eğrisi





Mechanical Specifications		Optical Specifications	
Body	Metal	Light Source	MidPower Led
Ip Rating	IP40	Reflector	-
IK Rating Body	IK 06	Lens	-
Ral Code	RAL 9005(Optional)	Diffuser	Opal
Cable Gland	-	CRI	>80
Cable	3x0.75 mm <sup>2</sup>	Colour Temperature	3000K / 4000K / 6500K
Fire Protection	650°C	Photobiological Risk Group	RG1
Mounting Type	Surface /Hanging Wire	Beam angle	120°
Electrical Specifications		Options	
Input Voltage	220-240 VAC	DALI	✓
Power Factor	>0.95	1-10 V	✓
System Lifetime	50000h	1 Hour Emergency Kit	✓
Class	I	3 Hour Emergency Kit	✓
Operating Temperature	-20°C / +45°C	Microvave Sensor	
Standards	LM79/LM80	Another Mounting Type	Surface Mounted

ERP Code	Ceiling Type	Power(W)	Efficiency(lm/W)	Luminous Flux(lm)	Colour Temp.	Dimensions (mm)	Cut Size	Pcs/Pack	Pack Weight(kg)	Accessory
1910039		40W	110	4400	3000K / 4000K / 6500K	∅400				Hanging Wire
1910040		60W	110	6600	3000K / 4000K / 6500K	∅600				Hanging Wire
1910041		80W	110	8800	3000K / 4000K / 6500K	∅800				Hanging Wire

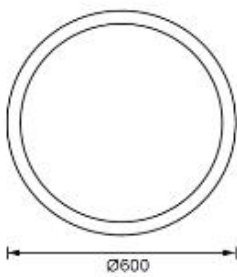




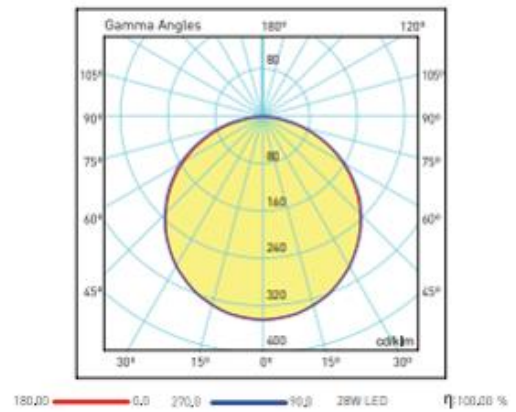


**TÜRK MALI**  
MADE IN TURKEY

**Technical Drawing**  
Teknik Çizim



**Light Distribution Curve**  
Işık Şiddeti Dağılım Eğrisi





Mechanical Specifications		Optical Specifications	
Body	Metal	Light Source	MidPower Led
Ip Rating	IP40	Reflector	-
IK Rating Body	IK 06	Lens	-
Ral Code	RAL 9005(Optional)	Diffuser	Opal
Cable Gland	-	CRI	>80
Cable	3x0.75 mm <sup>2</sup>	Colour Temperature	3000K / 4000K / 6500K
Fire Protection	650°C	Photobiological Risk Group	RG1
Mounting Type	Surface /Hanging Wire	Beam angle	120°
Electrical Specifications		Options	
Input Voltage	220-240 VAC	DALI	✓
Power Factor	>0.95	1-10 V	✓
System Lifetime	50000h	1 Hour Emergency Kit	✓
Class	I	3 Hour Emergency Kit	✓
Operating Temperature	-20°C / +45°C	Microvave Sensor	
Standards	LM79/LM80	Another Mounting Type	Surface Mounted

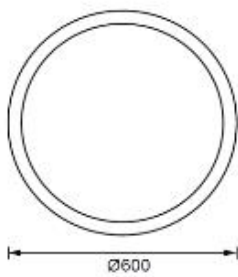
ERP Code	Ceiling Type	Power(W)	Efficiency(l m/W)	Luminous Flux(lm)	Colour Temp.	Dimensions (mm)	Cut Size	Pcs/Pack	Pack Weight(kg)	Accessory
1910042		40W	110	4400	3000K / 4000K / 6500K	∅600				Hanging Wire
1910043		60W	110	6600	3000K / 4000K / 6500K	∅800				Hanging Wire
1910044		80W	110	8800	3000K / 4000K / 6500K	∅1200				Hanging Wire





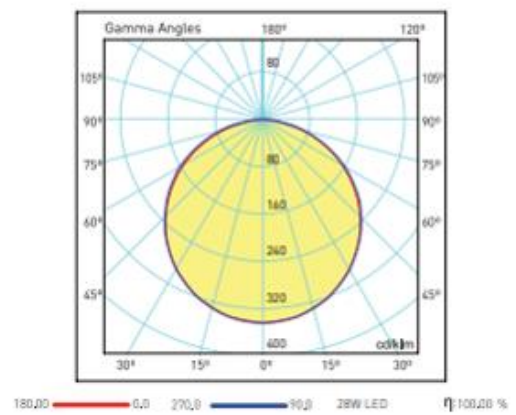
### Technical Drawing

Teknik Çizim



### Light Distribution Curve

Işık Şiddeti Dağılım Eğrisi





Mechanical Specifications		Optical Specifications	
Body	Aluminum	Light Source	MidPower Led
Ip Rating	IP40	Reflector	-
IK Rating Body	IK 06	Lens	-
Ral Code	RAL 9016	Diffuser	Opal
Cable Gland	-	CRI	>80
Cable	0,75 mm <sup>2</sup>	Colour Temperature	3000K / 4000K / 6500K
Fire Protection	650°C	Photobiological Risk Group	RG1
Mounting Type	Recessed Mounting	Beam angle	120°
Electrical Specifications		Options	
Input Voltage	220-240 VAC	DALI	✓
Power Factor	>0.95	1-10 V	✓
System Lifetime	50000h	1 Hour Emergency Kit	✓
Class	I	3 Hour Emergency Kit	✓
Operating Temperature	-20°C / +45°C	Microvave Sensor	
Standards	LM79/LM80	Another Mounting Type	

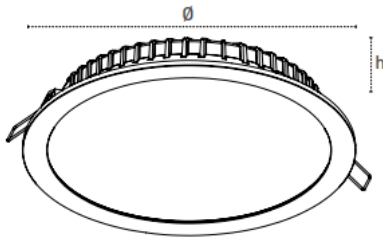
ERP Code	Type(inc)	Power(W)	Efficiency(lm/W)	Luminous Flux(lm)	Colour Temp.	Dimensions (mm)	Cut Size	Pcs/Pack	Pack Weight(kg)	Accessory
1910045	3"	7W	100	700	3000K / 4000K / 6500K	Ø120	Ø95	40	8	
1910046	4"	9W	100	900	3000K / 4000K / 6500K	Ø140	Ø120	40	12	
1910047	5"	13W	100	1300	3000K / 4000K / 6500K	Ø165	Ø145	40	13	
1910048	6"	18W	100	1800	3000K / 4000K / 6500K	Ø180	Ø155	20	12	
1910049	8"	26W	100	2600	3000K / 4000K / 6500K	Ø220	Ø200	20	14	





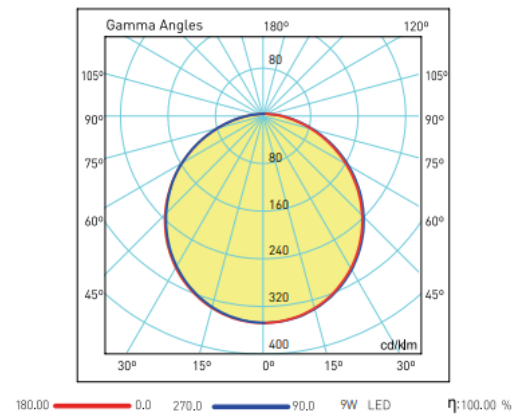
### Technical Drawing

Teknik Çizim



### Light Distribution Curve

Işık Şiddeti Dağılım Eğrisi





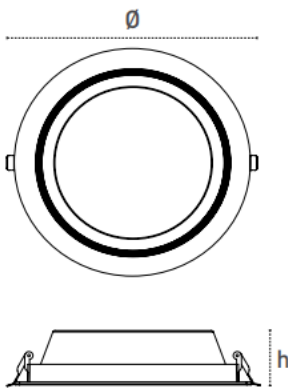
Mechanical Specifications		Optical Specifications	
Body	Aluminum	Light Source	MidPower Led
Ip Raiting	IP40	Reflector	-
IK Rating Body	IK 06	Lens	-
Ral Code	RAL 9016	Diffuser	Opal
Cable Gland	-	CRI	>80
Cable	0,75 mm <sup>2</sup>	Colour Temperature	3000K / 4000K / 6500K
Fire Protection	650°C	Photobiological Risk Group	RG1
Mounting Type	Recessed Mounting	Beam angle	120°
Electrical Specifications		Options	
Input Voltage	220-240 VAC	DALI	✓
Power Factor	>0.95	1-10 V	✓
System Lifetime	50000h	1 Hour Emergency Kit	✓
Class	I	3 Hour Emergency Kit	✓
Operating Temperature	-20°C / +45°C	Microvave Sensor	
Standards	LM79/LM80	Another Mounting Type	

ERP Code	Type(inc)	Power(W)	Efficiency(lm/W)	Luminous Flux(lm)	Colour Temp.	Dimensions (mm)	Cut Size	Pcs/Pack	Pack Weight(kg)	Accessory
1910050	4"	10W	120	1200	3000K / 4000K / 6500K	Ø150	Ø130	20	12	
1910051	5"	15W	120	1800	3000K / 4000K / 6500K	Ø180	Ø160	20	13	
1910052	6"	20W	120	2400	3000K / 4000K / 6500K	Ø200	Ø180	15	12	
1910053	8"	30W	120	3600	3000K / 4000K / 6500K	Ø240	Ø210	15	14	

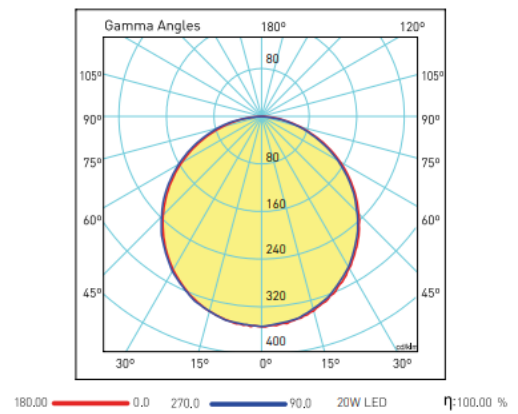




**Technical Drawing**  
Teknik Çizim



**Light Distribution Curve**  
Işık Şiddeti Dağılım Eğrisi





Mechanical Specifications		Optical Specifications	
Body	Aluminum	Light Source	MidPower Led
Ip Rating	IP40	Reflector	-
IK Rating Body	IK 06	Lens	-
Ral Code	RAL 9016	Diffuser	Opal
Cable Gland	-	CRI	>80
Cable	0,75 mm <sup>2</sup>	Colour Temperature	3000K / 4000K / 6500K
Fire Protection	650°C	Photobiological Risk Group	RG1
Mounting Type	Recessed Mounting	Beam angle	120°
Electrical Specifications		Options	
Input Voltage	220-240 VAC	DALI	
Power Factor		1-10 V	
System Lifetime	20000h	1 Hour Emergency Kit	✓
Class	I	3 Hour Emergency Kit	✓
Operating Temperature	-20°C / +45°C	Microvave Sensor	
Standards		Another Mounting Type	

ERP Code	Type(inc)	Power(W)	Efficiency(lm/W)	Luminous Flux(lm)	Colour Temp.	Dimensions (mm)	Cut Size	Pcs/Pack	Pack Weight(kg)	Accessory
1910054	3"	6W	85	510	3000K / 4000K / 6500K	Ø120	Ø95	40	6	
1910055	4"	9W	85	765	3000K / 4000K / 6500K	Ø140	Ø120	40	10	
1910056	5"	12W	85	1020	3000K / 4000K / 6500K	Ø165	Ø145	40	11	
1910057	6"	15W	85	1275	3000K / 4000K / 6500K	Ø180	Ø155	20	10	
1910058	8"	18W	85	1530	3000K / 4000K / 6500K	Ø220	Ø200	20	12	

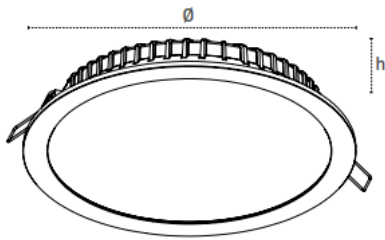






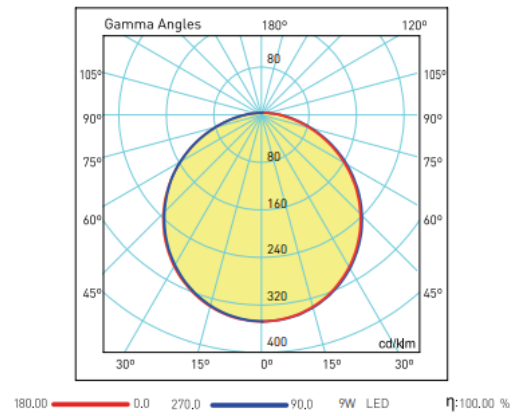
### Technical Drawing

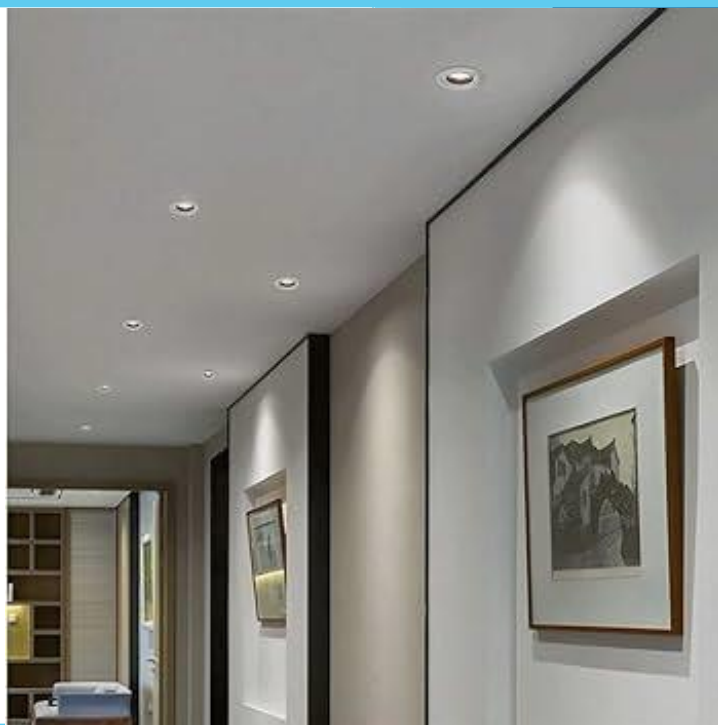
Teknik Çizim



### Light Distribution Curve

Isık Şiddeti Dağılım Eğrisi





Mechanical Specifications		Optical Specifications	
Body	Aluminum	Light Source	MidPower Led
Ip Rating	IP40	Reflector	-
IK Rating Body	IK 06	Lens	-
Ral Code	RAL 9016	Diffuser	Opal
Cable Gland	-	CRI	>80
Cable	0,75 mm <sup>2</sup>	Colour Temperature	3000K / 4000K / 6500K
Fire Protection	650°C	Photobiological Risk Group	RG1
Mounting Type	Recessed Mounting	Beam angle	120°
Electrical Specifications		Options	
Input Voltage	220-240 VAC	DALI	✓
Power Factor	>0.90	1-10 V	✓
System Lifetime	30000h	1 Hour Emergency Kit	✓
Class	I	3 Hour Emergency Kit	✓
Operating Temperature	-20°C / +45°C	Microvave Sensor	
Standards		Another Mounting Type	

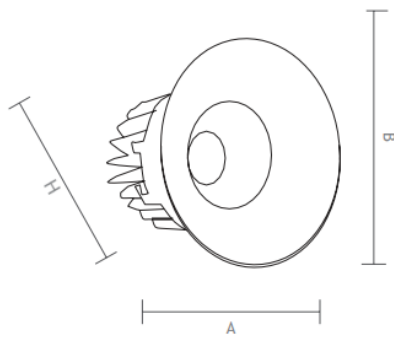
ERP Code	Type(inc)	Power(W)	Efficiency(lm/W)	Luminous Flux(lm)	Colour Temp.	Dimensions (mm)	Cut Size	Pcs/Pack	Pack Weight(kg)	Accessory
1910059	3"	8W	100	800	3000K / 4000K / 6500K	Ø117	Ø105	40	8	
1910060	4"	10W	100	1000	3000K / 4000K / 6500K	Ø147	Ø130	40	10	
1910061	5"	15W	100	1500	3000K / 4000K / 6500K	Ø175	Ø160	40	12	





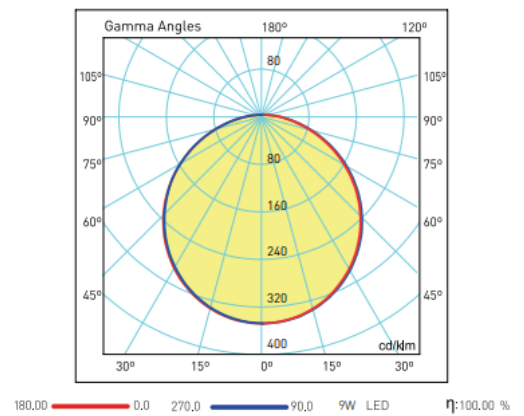
### Technical Drawing

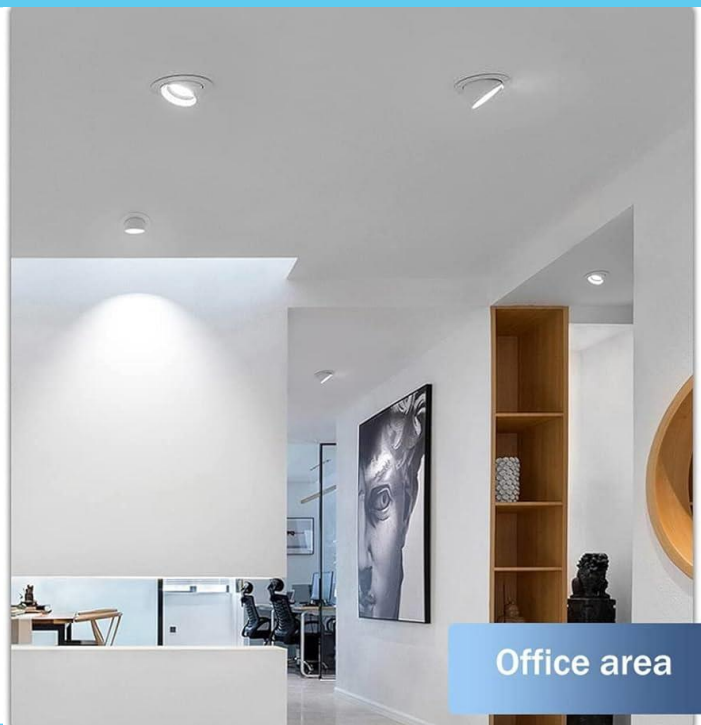
Teknik Çizim



### Light Distribution Curve

Işık Şiddeti Dağılım Eğrisi





Office area

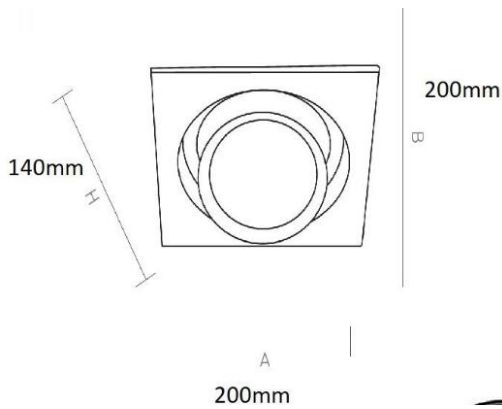
Mechanical Specifications		Optical Specifications	
Body	Aluminum	Light Source	MidPower Led
Ip Raiting	IP40	Reflector	-
IK Rating Body	IK 06	Lens	-
Ral Code	RAL 9016	Diffuser	Opal
Cable Gland	-	CRI	>80
Cable	0,75 mm2	Colour Temperature	3000K / 4000K / 6500K
Fire Protection	650°C	Photobiological Risk Group	RG1
Mounting Type	Recessed Mounting	Beam angle	120°
Electrical Specifications		Options	
Input Voltage	220-240 VAC	DALI	✓
Power Factor	>0.90	1-10 V	✓
System Lifetime	30000h	1 Hour Emergency Kit	✓
Class	I	3 Hour Emergency Kit	✓
Operating Temperature	-20°C / +45°C	Microvave Sensor	
Standards		Another Mounting Type	

ERP Code	Type(inc)	Power(W)	Efficiency(l m/W)	Luminous Flux(lm)	Colour Temp.	Dimensions (mm)	Cut Size	Pcs/Pack	Pack Weight(kg)	Accessory
1910062	-	30W	100	3000	3000K / 4000K / 6500K	Ø200	Ø180	20		

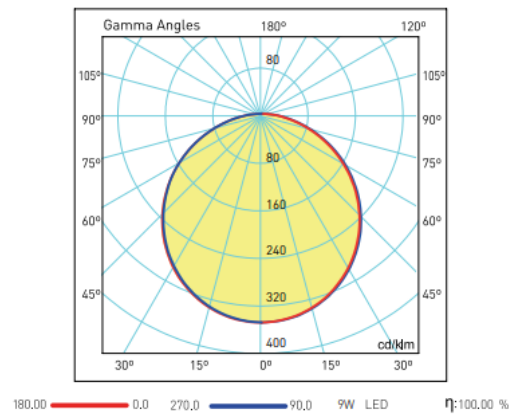




**Technical Drawing**  
Teknik Çizim



**Light Distribution Curve**  
Işık Şiddeti Dağılım Eğrisi





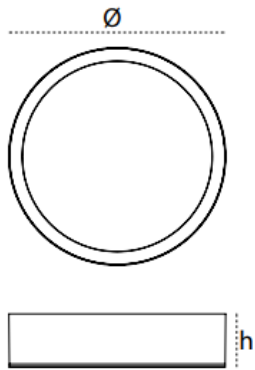
Mechanical Specifications		Optical Specifications	
Body	Aluminum	Light Source	MidPower Led
Ip Rating	IP40	Reflector	-
IK Rating Body	IK 06	Lens	-
Ral Code	RAL 9016/RAL 9005	Diffuser	Opal
Cable Gland	-	CRI	>80
Cable	0,75 mm <sup>2</sup>	Colour Temperature	3000K / 4000K / 6500K
Fire Protection	650°C	Photobiological Risk Group	RG1
Mounting Type	Surface Mounting	Beam angle	120°
Electrical Specifications		Options	
Input Voltage	220-240 VAC	DALI	✓
Power Factor	>0.90	1-10 V	✓
System Lifetime	30000h	1 Hour Emergency Kit	✓
Class	I	3 Hour Emergency Kit	✓
Operating Temperature	-20°C / +45°C	Microvave Sensor	
Standards		Another Mounting Type	

ERP Code	Type(inc)	Power(W)	Efficiency(lm/W)	Luminous Flux(lm)	Colour Temp.	Dimensions (mm)	Cut Size	Pcs/Pack	Pack Weight(kg)	Accessory
1910063		12W	90	1080	3000K / 4000K / 6500K	Ø220		40	10	
1910064		18W	90	1620	3000K / 4000K / 6500K	Ø260		40	12	

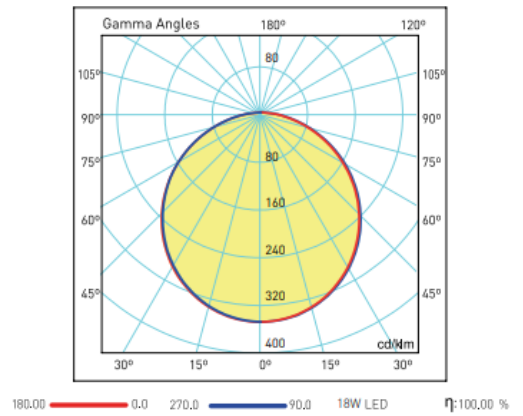




**Technical Drawing**  
Teknik Çizim



**Light Distribution Curve**  
Işık Şiddeti Dağılım Eğrisi





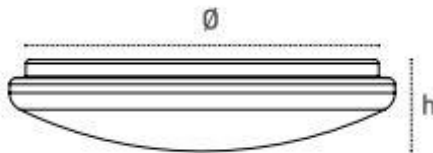
Mechanical Specifications				Optical Specifications						
Body	Metal			Light Source	MidPower Led					
Ip Rating	IP40			Reflector	-					
IK Rating Body				Lens	-					
Ral Code	RAL 9016/RAL 9005			Diffuser	Opal					
Cable Gland	-			CRI	>80					
Cable	0,75 mm <sup>2</sup>			Colour Temperature	3000K / 4000K / 6500K					
Fire Protection	650°C			Photobiological Risk Group	RG1					
Mounting Type	Surface Mounting			Beam angle	120°					
Electrical Specifications				Options						
Input Voltage	220-240 VAC			DALI						
Power Factor				1-10 V						
System Lifetime	30000h			1 Hour Emergency Kit						
Class	I			3 Hour Emergency Kit						
Operating Temperature	-20°C / +45°C			Microvave Sensor	✓					
Standards				Another Mounting Type						
ERP Code	Type(inc)	Power(W)	Efficiency(l m/W)	Luminous Flux(lm)	Colour Temp.	Dimensions (mm)	Cut Size	Pcs/Pack	Pack Weight(kg)	Accessory
1910065	Ellipse	18W	90	1620	3000K / 4000K / 6500K			48	14	
1910066	Round	24W	90	2160	3000K / 4000K / 6500K			24	13,20	
1910067	Square	24W	90	2160	3000K / 4000K / 6500K			24	13,20	



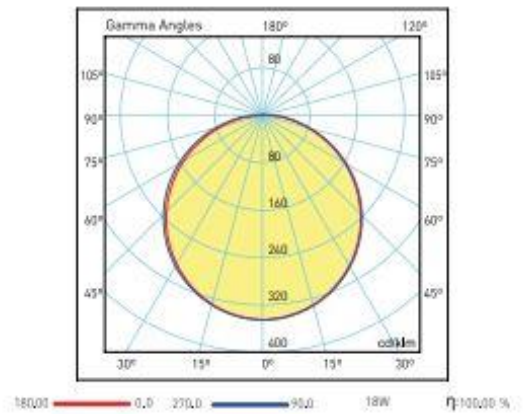




**Technical Drawing**  
Teknik Çizim

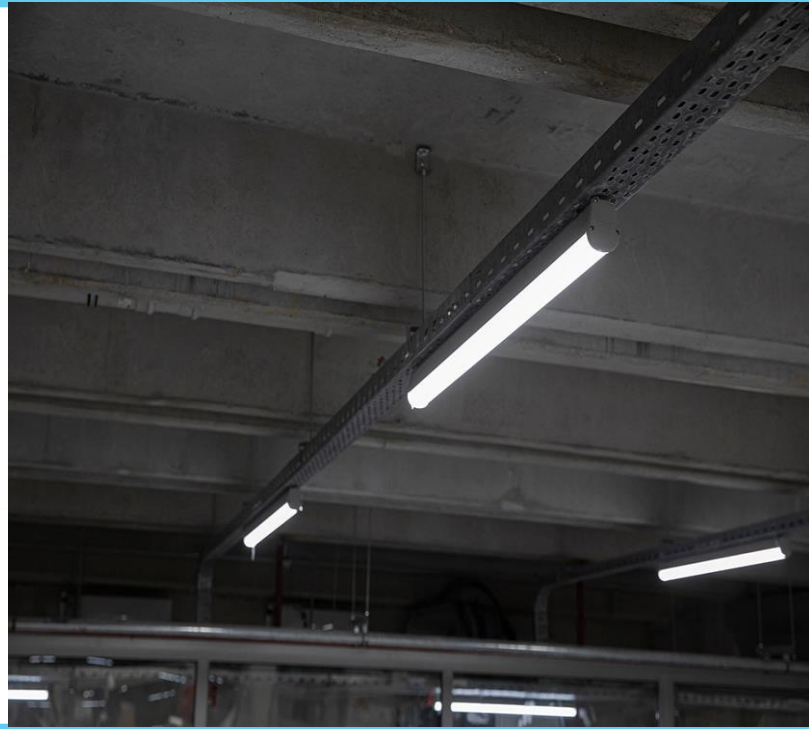


**Light Distribution Curve**  
Işık Şiddeti Dağılım Eğrisi



# INDUSTRIAL LIGHTING LUMINAIRES





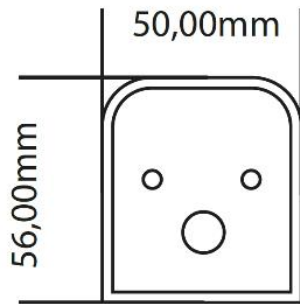
Mechanical Specifications		Optical Specifications	
Body	PC	Light Source	MidPower Led
Ip Rating	IP65	Reflector	-
IK Rating Body	IK 06	Lens	-
Ral Code	RAL 7040	Diffuser	PC Opal
Cable Gland	PG7	CRI	>80
Cable	2x0,75 mm <sup>2</sup>	Colour Temperature	3000K / 4000K / 6500K
Fire Protection	650°C	Photobiological Risk Group	RG1
Mounting Type	Cable Tray/Surface Mounted	Beam angle	120°
Electrical Specifications		Options	
Input Voltage	220-240 VAC	DALI	✓
Power Factor	>0.95	1-10 V	✓
System Lifetime	50000h	1 Hour Emergency Kit	✓
Class	II	3 Hour Emergency Kit	✓
Operating Temperature	-20°C / +45°C	Microvave Sensor	
Standards	LM79/LM80	Another Mounting Type	

ERP Code	Ceiling Type	Power(W)	Efficiency(lm/W)	Luminous Flux(lm)	Colour Temp.	Dimensions (mm)	Cut Size	Pcs/Pack	Pack Weight(kg)	Accessory
1910100	Surface	18W	110	1980	3000K / 4000K / 6500K	50x56x580		12	6,5	Mounting Spring
1910101	Surface	36W	110	3960	3000K / 4000K / 6500K	50x56x1130		12	11	Mounting Spring
1910102	Surface	50W	110	5500	3000K / 4000K / 6500K	50x56x1430		12	13,5	Mounting Spring

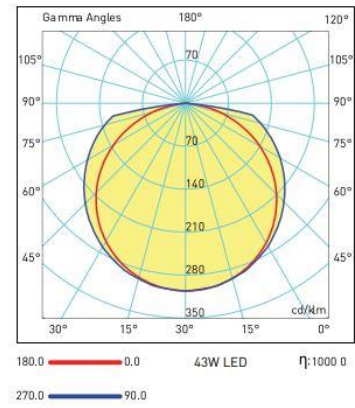




**Technical Drawing**  
Teknik Çizim



**Light Distribution Curve**  
Işık Şiddeti Dağılım Eğrisi





Mechanical Specifications		Optical Specifications	
Body	PC	Light Source	MidPower Led
Ip Raiting	IP65	Reflector	-
IK Rating Body	IK 06	Lens	-
Ral Code	RAL 7001	Diffuser	PC Opal
Cable Gland	PG7	CRI	>80
Cable	2x0,75 mm2	Colour Temperature	3000K / 4000K / 6500K
Fire Protection	650°C	Photobiological Risk Group	RG1
Mounting Type	Cable Tray/Surface Mounted	Beam angle	120°
Electrical Specifications		Options	
Input Voltage	220-240 VAC	DALI	✓
Power Factor	>0.95	1-10 V	✓
System Lifetime	50000h	1 Hour Emergency Kit	✓
Class	II	3 Hour Emergency Kit	✓
Operating Temperature	-20°C / +45°C	Step Dim	✓
Standards	LM79/LM80	Another Mounting Type	

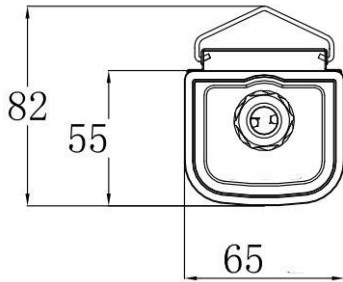
ERP Code	Ceiling Type	Power(W)	Efficiency(lm/W)	Luminous Flux(lm)	Colour Temp.	Dimensions (mm)	Cut Size	Pcs/Pack	Pack Weight(kg)	Accessory
1910103	Surface	18W	140	2520	3000K / 4000K / 6500K	55x65x580		4	2,00	Mounting Spring
1910104	Surface	36W	140	5040	3000K / 4000K / 6500K	55x65x1180		4	4,00	Mounting Spring
1910105	Surface	50W	140	7000	3000K / 4000K / 6500K	55x65x1480		4	5,00	Mounting Spring





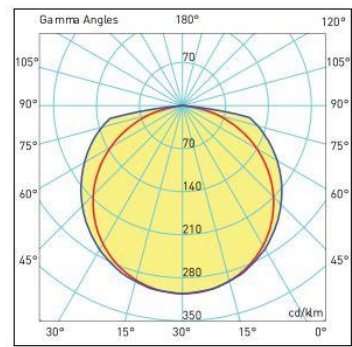
**Technical Drawing**

Teknik Çizim



**Light Distribution Curve**

Işık Şiddeti Dağılım Eğrisi



180.0 — 0.0      43W LED      η:1000.0  
270.0 — 90.0



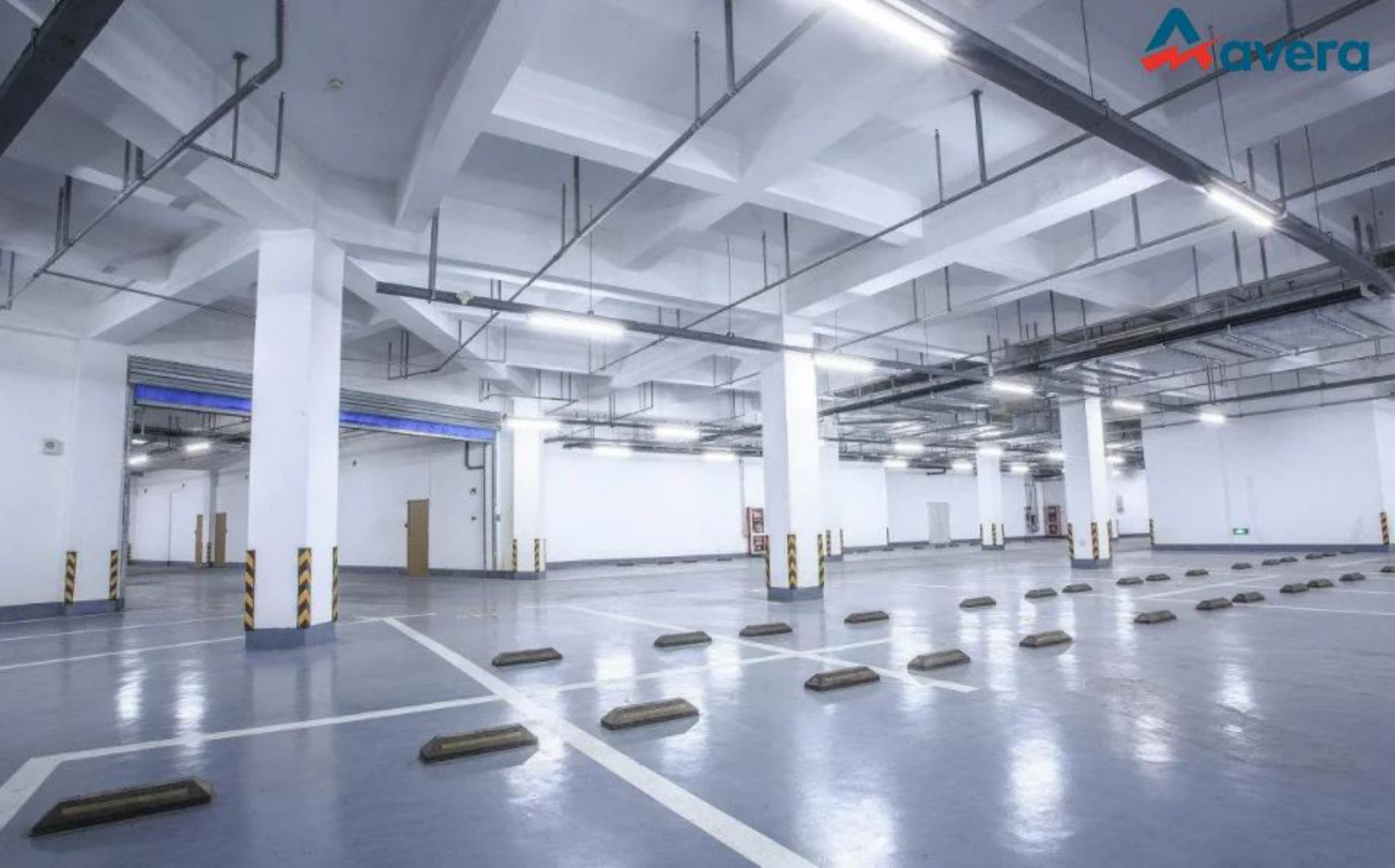


High output & High Energy Saving  
Providing Superior Brightness Everywhere

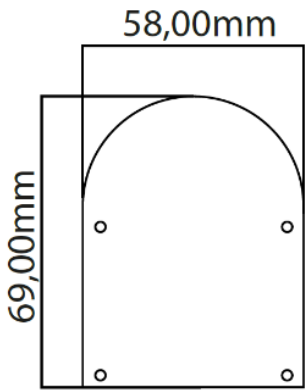
Mechanical Specifications		Optical Specifications	
Body	Aluminum	Light Source	MidPower Led
Ip Rating	IP65	Reflector	-
IK Rating Body	IK 08	Lens	-
Ral Code	RAL 9006	Diffuser	PC Opal
Cable Gland	PG7	CRI	>80
Cable	3x0,75 mm <sup>2</sup>	Colour Temperature	3000K / 4000K / 6500K
Fire Protection	650°C	Photobiological Risk Group	RG1
Mounting Type	Cable Tray/Surface Mounted	Beam angle	120°
Electrical Specifications		Options	
Input Voltage	220-240 VAC	DALI	✓
Power Factor	>0.95	1-10 V	✓
System Lifetime	50000h	1 Hour Emergency Kit	✓
Class	I	3 Hour Emergency Kit	✓
Operating Temperature	-20°C / +45°C	Step Dim	✓
Standards	LM79/LM80	Another Mounting Type	

ERP Code	Ceiling Type	Power(W)	Efficiency(lm/W)	Luminous Flux(lm)	Colour Temp.	Dimensions (mm)	Cut Size	Pcs/Pack	Pack Weight(kg)	Accessory
1910106	Surface	18W	130	2340	3000K / 4000K / 6500K	58x69x580		4	3,80	Mounting Spring
1910107	Surface	25W	130	3250	3000K / 4000K / 6500K	58x69x580		4	3,80	Mounting Spring
1910108	Surface	36W	130	4680	3000K / 4000K / 6500K	58x69x1180		4	7,60	Mounting Spring
1910109	Surface	45W	130	5850	3000K / 4000K / 6500K	58x69x1180		4	7,60	Mounting Spring
1910110	Surface	55W	130	7150	3000K / 4000K / 6500K	58x69x1480		4	9,50	Mounting Spring
1910111	Surface	70W	130	9100	3000K / 4000K / 6500K	58x69x1480		4	9,50	Mounting Spring

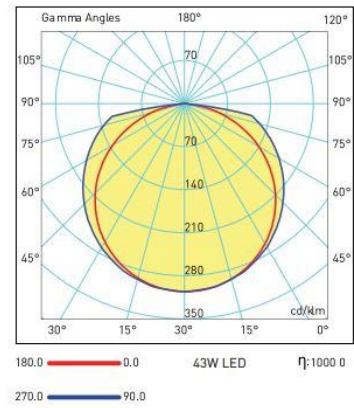




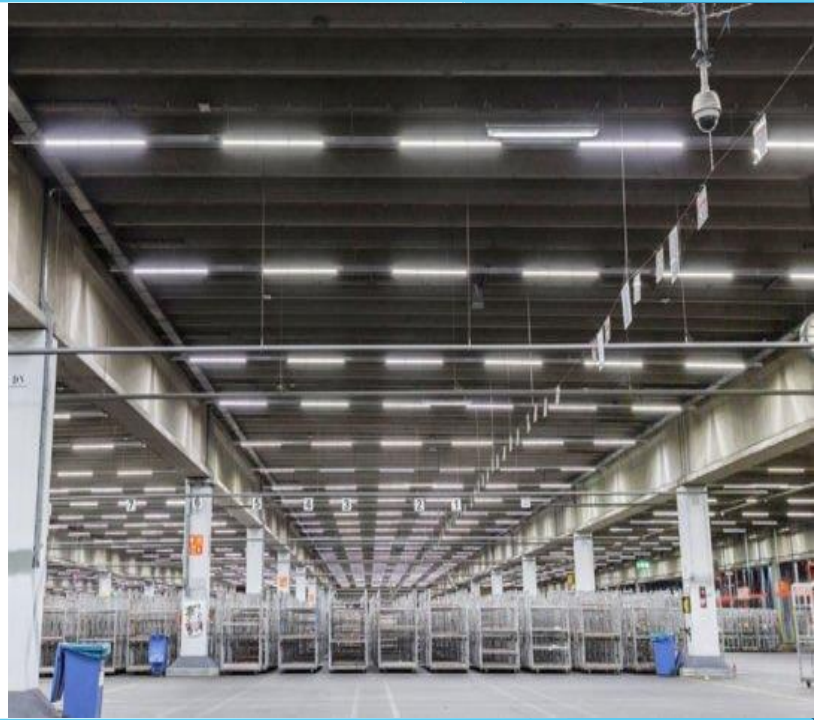
**Technical Drawing**  
Teknik Çizim



**Light Distribution Curve**  
Işık Şiddeti Dağılım Eğrisi







Mechanical Specifications		Optical Specifications	
Body	Aluminum	Light Source	MidPower Led
Ip Rating	IP65	Reflector	-
IK Rating Body	IK 08	Lens	-
Ral Code	RAL 9006	Diffuser	PC Opal
Cable Gland	PG7	CRI	>80
Cable	3x0,75 mm <sup>2</sup>	Colour Temperature	3000K / 4000K / 6500K
Fire Protection	650°C	Photobiological Risk Group	RG1
Mounting Type	Cable Tray/Surface Mounted	Beam angle	120°
Electrical Specifications		Options	
Input Voltage	220-240 VAC	DALI	✓
Power Factor	>0.95	1-10 V	✓
System Lifetime	50000h	1 Hour Emergency Kit	✓
Class	I	3 Hour Emergency Kit	✓
Operating Temperature	-20°C / +45°C	Step Dim	
Standards	LM79/LM80	Another Mounting Type	

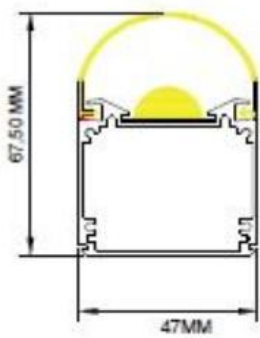
ERP Code	Ceiling Type	Power(W)	Efficiency(lm/W)	Luminous Flux(lm)	Colour Temp.	Dimensions (mm)	Cut Size	Pcs/Pack	Pack Weight(kg)	Accessory
1910112	Surface	18W	140	2520	3000K / 4000K / 6500K	47x67x560		4	3,60	Mounting Spring
1910113	Surface	25W	140	3500	3000K / 4000K / 6500K	47x67x560		4	3,60	Mounting Spring
1910114	Surface	36W	140	5040	3000K / 4000K / 6500K	47x67x1120		4	7,20	Mounting Spring
1910115	Surface	45W	140	6300	3000K / 4000K / 6500K	47x67x1120		4	7,20	Mounting Spring
1910116	Surface	55W	140	7700	3000K / 4000K / 6500K	47x67x1420		4	9,00	Mounting Spring
1910117	Surface	65W	140	9100	3000K / 4000K / 6500K	47x67x1420		4	9,00	Mounting Spring





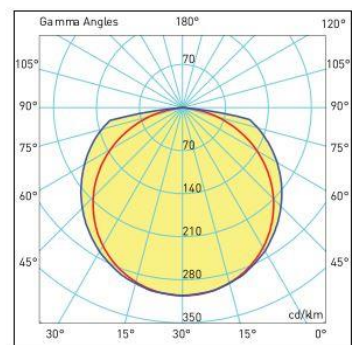
### Technical Drawing

Teknik Çizim



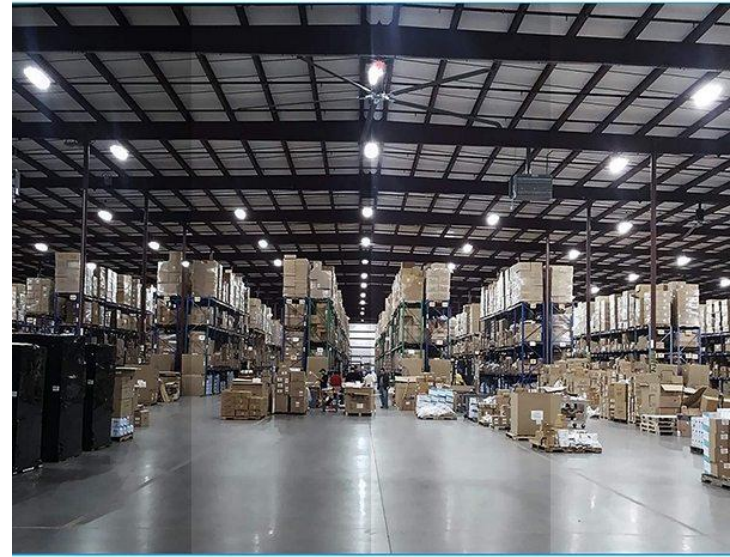
### Light Distribution Curve

Işık Şiddeti Dağılım Eğrisi



180.0 — 0.0      43W LED       $\eta$ : 1000.0  
 270.0 — 90.0





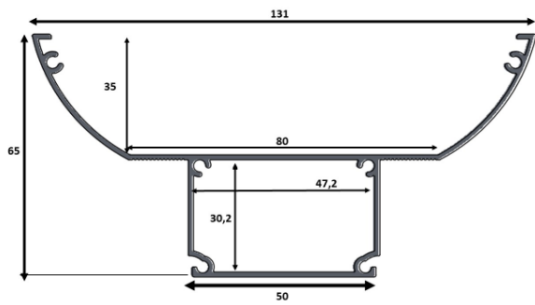
Mechanical Specifications		Optical Specifications	
Body	Aluminum	Light Source	MidPower Led
Ip Rating	IP65	Reflector	-
IK Rating Body	IK 08	Lens	PC
Ral Code	RAL 9006	Diffuser	Pleksi/Tempered Glass
Cable Gland	PG7	CRI	>80
Cable	3x0,75 mm <sup>2</sup>	Colour Temperature	3000K / 4000K / 6500K
Fire Protection	650°C	Photobiological Risk Group	RG1
Mounting Type	Cable Tray/Surface Mounted	Beam angle	30°/60°/90°/Asym
Electrical Specifications		Options	
Input Voltage	220-240 VAC	DALI	✓
Power Factor	>0.95	1-10 V	✓
System Lifetime	50000h	1 Hour Emergency Kit	✓
Class	I	3 Hour Emergency Kit	✓
Operating Temperature	-20°C / +45°C	Step Dim	
Standards	LM79/LM80	Another Mounting Type	Busbar

ERP Code	Ceiling Type	Power(W)	Efficiency(lm/W)	Luminous Flux(lm)	Colour Temp.	Dimensions (mm)	Cut Size	Pcs/Pack	Pack Weight(kg)	Accessory
1910118	Surface	75W	152	11400	3000K / 4000K / 6500K	65X131X600		2	3,60	
1910119	Surface	100W	152	15200	3000K / 4000K / 6500K	65X131X600		2	3,60	
1910120	Surface	120W	150	18000	3000K / 4000K / 6500K	65X131X1000		2	6,00	
1910121	Surface	150W	150	22500	3000K / 4000K / 6500K	65X131X1000		2	6,00	
1910122	Surface	180W	148	26640	3000K / 4000K / 6500K	65X131X1200		2	7,20	
1910123	Surface	200W	148	29600	3000K / 4000K / 6500K	65X131X1200		2	7,20	



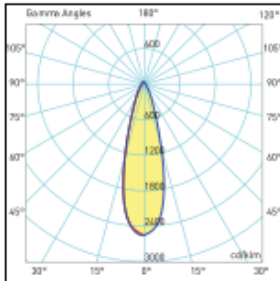


**Technical Drawing**  
Teknik Çizim

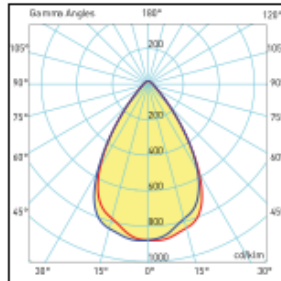


**Light Distribution Curve**  
Işık Şiddeti Dağılım Eğrisi

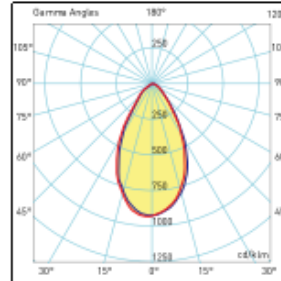
**30° Lens**



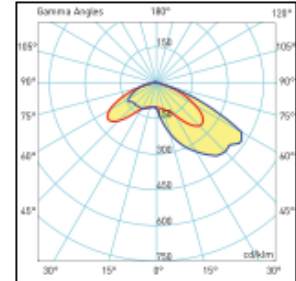
**60° Lens**



**90° Lens**

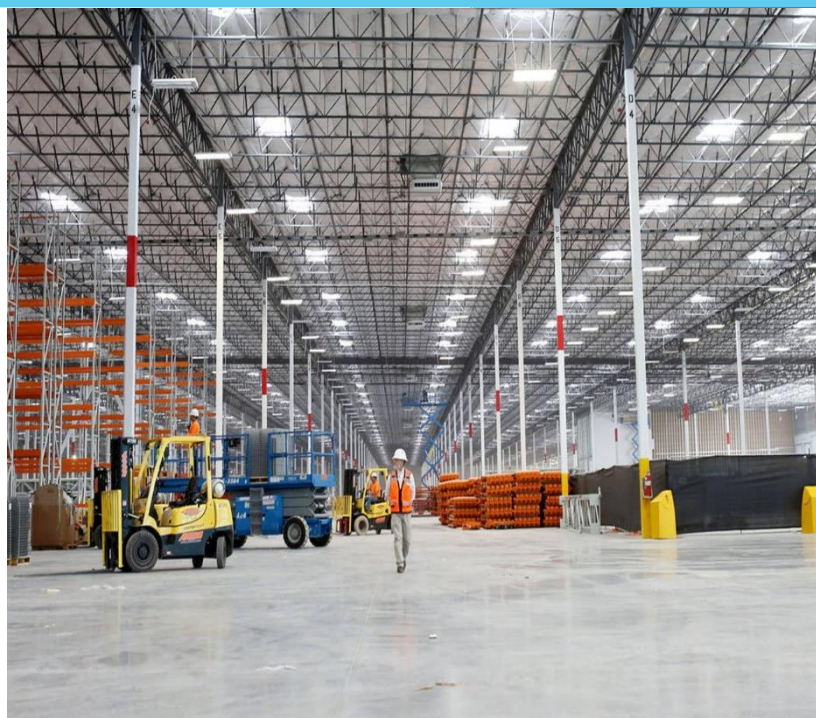


**Asymmetric / Asimetrik**



180.00 — .0 270.0 — 90.0  $\eta$ : 1000 0 %

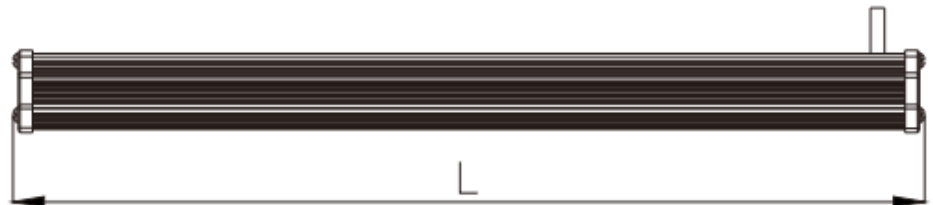
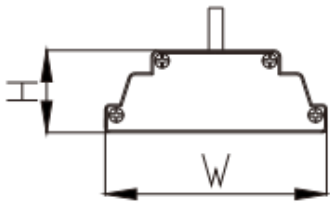




Mechanical Specifications		Optical Specifications	
Body	Aluminum	Light Source	MidPower Led
Ip Rating	IP65	Reflector	-
IK Rating Body	IK 08	Lens	PC
Ral Code	RAL 9005	Diffuser	Pleksi/Tempered Glass
Cable Gland	PG7	CRI	>80
Cable	3x0,75 mm <sup>2</sup>	Colour Temperature	3000K / 4000K / 6500K
Fire Protection	650°C	Photobiological Risk Group	RG1
Mounting Type	Cable Tray/Surface Mounted	Beam angle	90°/120°
Electrical Specifications		Options	
Input Voltage	220-240 VAC	DALI	✓
Power Factor	>0.95	1-10 V	✓
System Lifetime	50000h	1 Hour Emergency Kit	✓
Class	I	3 Hour Emergency Kit	✓
Operating Temperature	-20°C / +45°C	Step Dim	
Standards	LM79/LM80	Another Mounting Type	Busbar

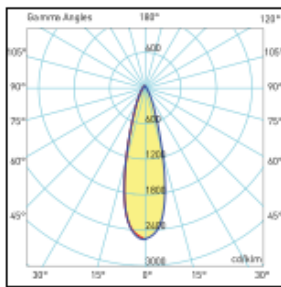
ERP Code	Ceiling Type	Power(W)	Efficiency(lm/W)	Luminous Flux(lm)	Colour Temp.	Dimensions (mm)	Cut Size	Pcs/Pack	Pack Weight(kg)	Accessory
1910124	Surface	100W	120	12000	3000K / 4000K / 6500K	46X124X513		2	3,00	
1910125	Surface	150W	120	18000	3000K / 4000K / 6500K	46X124X763		2	4,00	
1910126	Surface	200W	110	22000	3000K / 4000K / 6500K	46X124X1013		2	6,00	



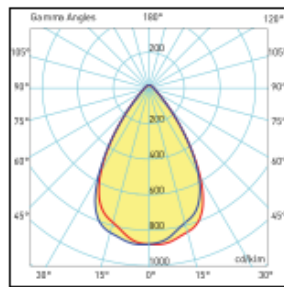


**Light Distribution Curve**  
Işık Şiddeti Dağılım Eğrisi

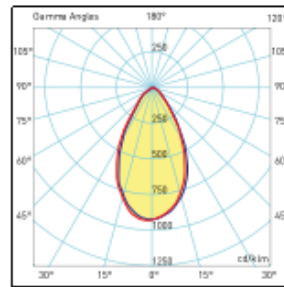
**30° Lens**



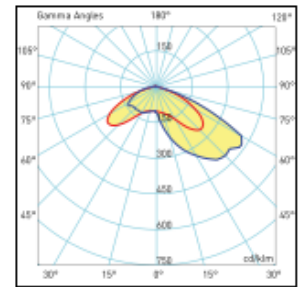
**60° Lens**



**90° Lens**



**Asymmetric / Asimetrik**



180.00 — .0    270.0 — 90.0    η:1000 0 %



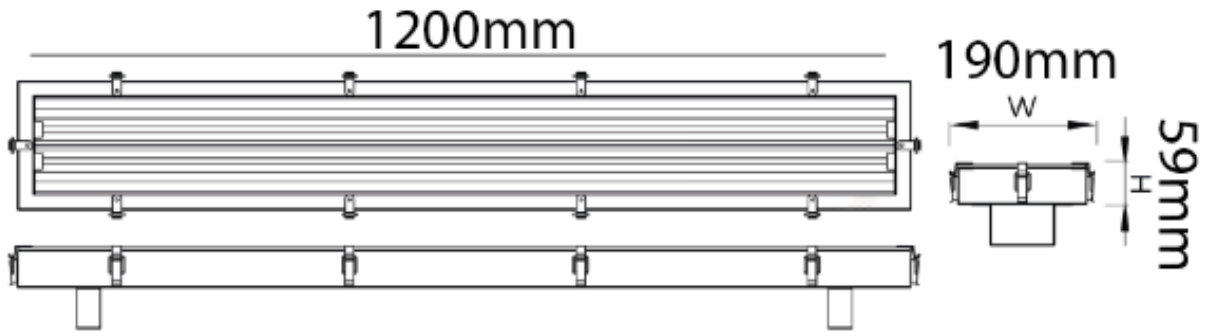


Mechanical Specifications		Optical Specifications	
Body	Aluminum	Light Source	MidPower Led
Ip Rating	IP65	Reflector	-
IK Rating Body	IK 08	Lens	-
Ral Code	RAL 9006	Diffuser	Pleksi/Tempered Glass
Cable Gland	PG7	CRI	>80
Cable	3x0,75 mm <sup>2</sup>	Colour Temperature	3000K / 4000K / 6500K
Fire Protection	650°C	Photobiological Risk Group	RG1
Mounting Type	Cable Tray/Surface Mounted	Beam angle	90°/120°
Electrical Specifications		Options	
Input Voltage	220-240 VAC	DALI	✓
Power Factor	>0.95	1-10 V	✓
System Lifetime	50000h	1 Hour Emergency Kit	✓
Class	I	3 Hour Emergency Kit	✓
Operating Temperature	-20°C / +45°C	Step Dim	
Standards	LM79/LM80	Another Mounting Type	Busbar

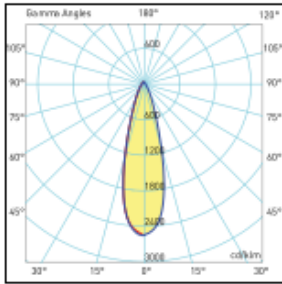
ERP Code	Ceiling Type	Power(W)	Efficiency(lm/W)	Luminous Flux(lm)	Colour Temp.	Dimensions (mm)	Cut Size	Pcs/Pack	Pack Weight(kg)	Accessory
1910127	Surface	60W	140	8400	3000K / 4000K / 6500K	190X59X1200		1		
1910128	Surface	80W	140	11200	3000K / 4000K / 6500K	190X59X1200		1		
1910129	Surface	120W	135	16200	3000K / 4000K / 6500K	190X59X1200		1		



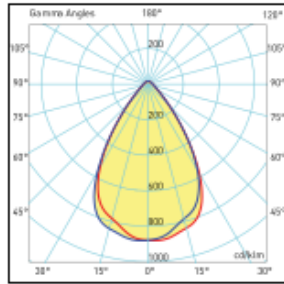


**Light Distribution Curve**  
Işık Şiddeti Dağılım Eğrisi

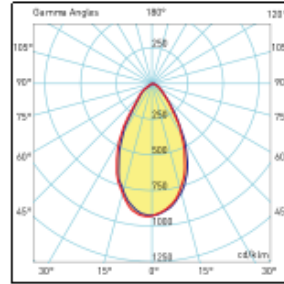
**30° Lens**



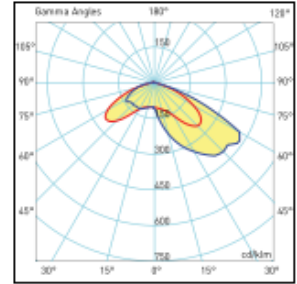
**60° Lens**



**90° Lens**



**Asymmetric / Asimetrik**



180.00 — .0 270.0 — 90.0  $\eta$ : 1000 0 %



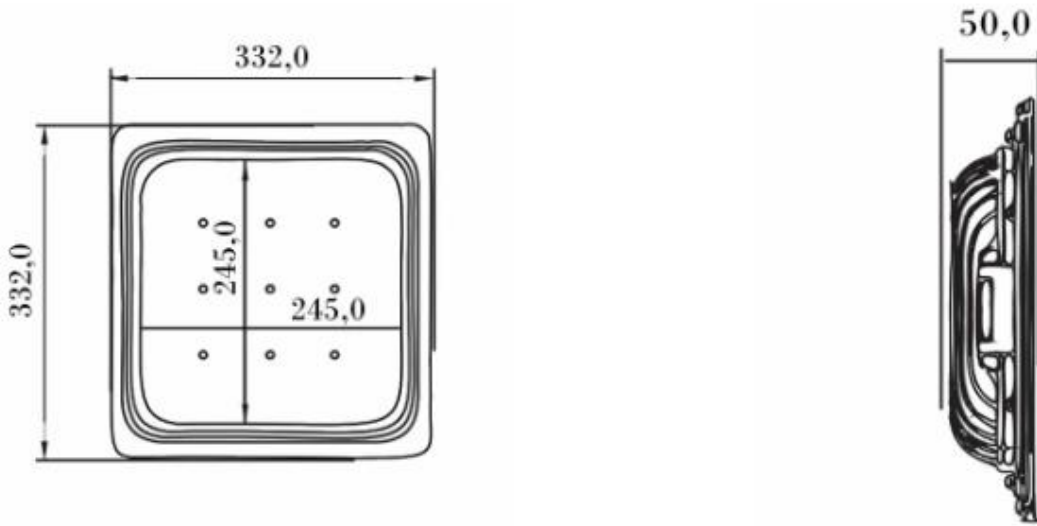




Mechanical Specifications		Optical Specifications	
Body	Aluminum	Light Source	MidPower Led
Ip Raiting	IP65	Reflector	-
IK Rating Body	IK 08	Lens	PMMA
Ral Code	RAL 9006	Diffuser	Tempered Glass
Cable Gland	PG7	CRI	>80
Cable	3x0,75 mm2	Colour Temperature	3000K / 4000K / 6500K
Fire Protection	650°C	Photobiological Risk Group	RG1
Mounting Type	Cable Tray/Surface Mounted	Beam angle	45°/60°/90°/120°/Asym
Electrical Specifications		Options	
Input Voltage	220-240 VAC	DALI	✓
Power Factor	>0.95	1-10 V	✓
System Lifetime	50000h	1 Hour Emergency Kit	✓
Class	I	3 Hour Emergency Kit	✓
Operating Temperature	-20°C / +45°C	Step Dim	
Standards	LM79/LM80	Another Mounting Type	Busbar

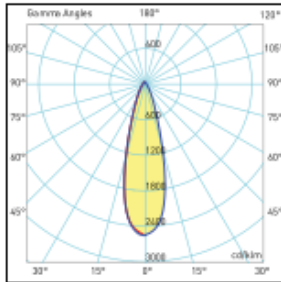
ERP Code	Ceiling Type	Power(W)	Efficiency(lm/W)	Luminous Flux(lm)	Colour Temp.	Dimensions (mm)	Cut Size	Pcs/Pack	Pack Weight(kg)	Accessory
1910130	Surface	120W	140	16800	3000K / 4000K / 6500K	333x333x75		1	4,60	
1910131	Surface	150W	140	21000	3000K / 4000K / 6500K	333x333x75		1	4,60	
1910132	Surface	200W	135	27000	3000K / 4000K / 6500K	333x333x75		1	4,60	



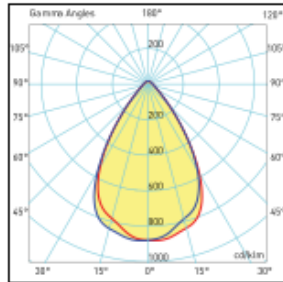


**Light Distribution Curve**  
Işık Şiddeti Dağılım Eğrisi

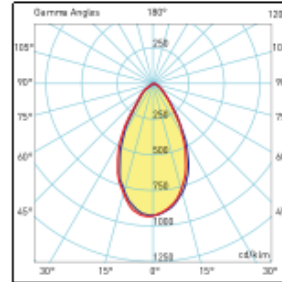
**30° Lens**



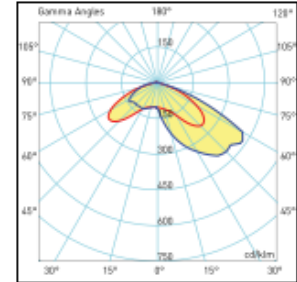
**60° Lens**



**90° Lens**



**Asymmetric / Asimetrik**



180.00 — .0    270.0 — 90.0     $\eta$  1000 0 %





FORA-UFO1 HIGHBAY SERIES

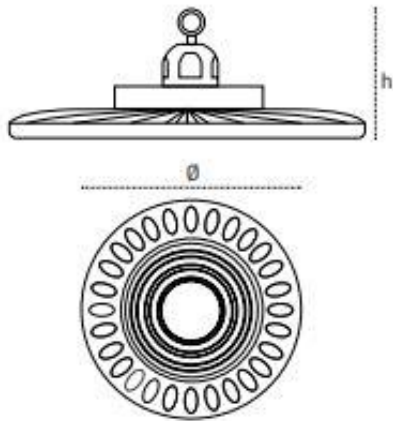
Mechanical Specifications		Optical Specifications	
Body	Aluminum	Light Source	MidPower Led
Ip Rating	IP65	Reflector	-
IK Rating Body	IK 08	Lens	PMMA
Ral Code	RAL 9005	Diffuser	
Cable Gland	PG7	CRI	>80
Cable	3x0,75 mm <sup>2</sup>	Colour Temperature	3000K / 4000K / 6500K
Fire Protection	650°C	Photobiological Risk Group	RG1
Mounting Type	Pendant	Beam angle	90°/120°
Electrical Specifications		Options	
Input Voltage	220-240 VAC	DALI	✓
Power Factor	>0.95	1-10 V	✓
System Lifetime	50000h	1 Hour Emergency Kit	✓
Class	I	3 Hour Emergency Kit	✓
Operating Temperature	-20°C / +45°C	Step Dim	
Standards	LM79/LM80	Another Mounting Type	L Metal

ERP Code	Ceiling Type	Power(W)	Efficiency(lm/W)	Luminous Flux(lm)	Colour Temp.	Dimensions (mm)	Cut Size	Pcs/Pack	Pack Weight(kg)	Accessory
1910133	Hanging/Sur face	100W	130	13000	3000K / 4000K / 6500K	272x150		1	2,00	
1910134	Hanging/Sur face	150W	130	19500	3000K / 4000K / 6500K	272x150		1	2,00	
1910135	Hanging/Sur face	200W	130	26000	3000K / 4000K / 6500K	272x150		1	2,00	

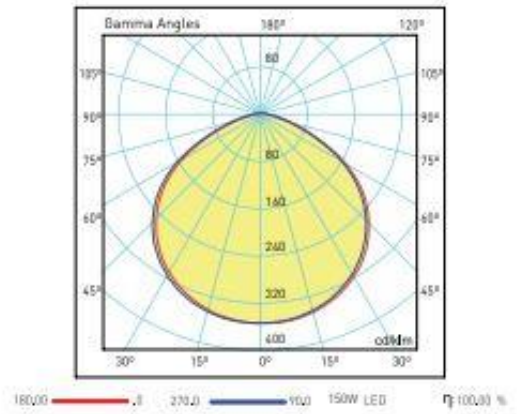




**Technical Drawing**  
Teknik Çizim



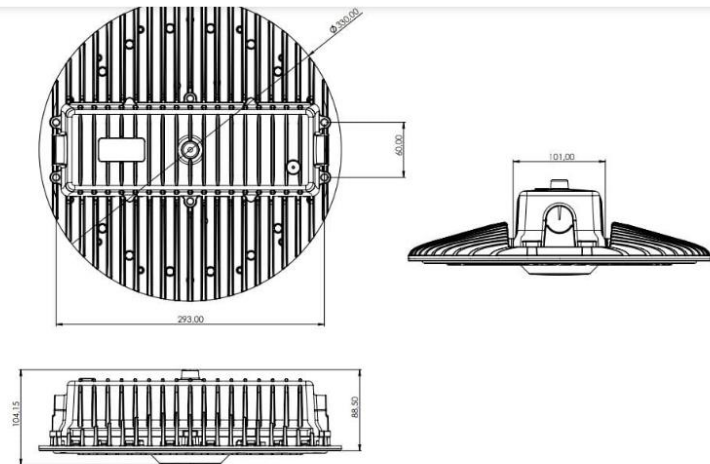
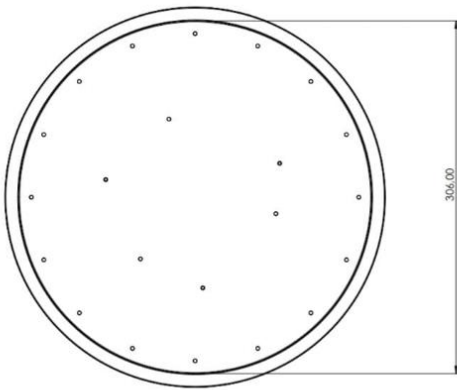
**Light Distribution Curve**  
Işık Şiddeti Dağılım Eğrisi





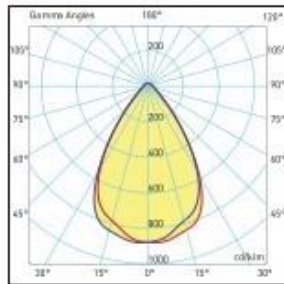
Mechanical Specifications					Optical Specifications					
Body	Aluminum				Light Source	MidPower Led				
Ip Rating	IP65				Reflector	-				
IK Rating Body	IK 08				Lens	PMMA				
Ral Code	RAL 9005				Diffuser					
Cable Gland	PG7				CRI	>80				
Cable	3x0,75 mm <sup>2</sup>				Colour Temperature	3000K / 4000K / 6500K				
Fire Protection	650°C				Photobiological Risk Group	RG1				
Mounting Type	Pendant				Beam angle	60°/90°				
Electrical Specifications					Options					
Input Voltage	220-240 VAC				DAI	✓				
Power Factor	>0.95				1-10 V	✓				
System Lifetime	50000h				1 Hour Emergency Kit	✓				
Class	I				3 Hour Emergency Kit	✓				
Operating Temperature	-20°C / +45°C				Step Dim					
Standards	LM79/LM80				Another Mounting Type	L Metal				
ERP Code	Ceiling Type	Power(W)	Efficiency(lm/W)	Luminous Flux(lm)	Colour Temp.	Dimensions (mm)	Cut Size	Pcs/Pack	Pack Weight(kg)	Accessory
1910136	Hanging/Sur face	100W	146	14600	3000K / 4000K / 6500K	300x104		1	2,90	
1910137	Hanging/Sur face	120W	146	17520	3000K / 4000K / 6500K	300x104		1	2,90	
1910138	Hanging/Sur face	150W	146	21900	3000K / 4000K / 6500K	300x104		1	2,90	
1910138	Hanging/Sur face	180W	146	26280	3000K / 4000K / 6500K	300x104		1	2,90	



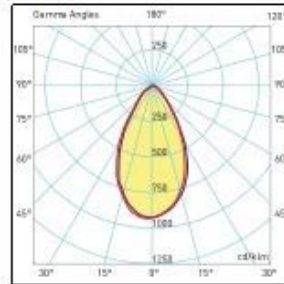


**Light Distribution Curve**  
Işık Şiddeti Dağılım Eğrisi

**60° Lens**



**90° Lens**



180.00 .0 270.0 90.0  $\eta$ : 1000 0 %



# OUTDOOR LIGHTING LUMINAIRES





Mechanical Specifications		Optical Specifications	
Body	Aluminum	Light Source	MidPower Led
Ip Rating	IP66	Reflector	-
IK Rating Body	IK 08	Lens	-
Ral Code	RAL 9005	Diffuser	Tempered Glass
Cable Gland	PG7	CRI	>70
Cable	3x0,75 mm <sup>2</sup>	Colour Temperature	3000K / 4000K / 6500K
Fire Protection	650°C	Photobiological Risk Group	RG1
Mounting Type	Pole/Ground	Beam angle	120°
Electrical Specifications		Options	
Input Voltage	220-240 VAC	DALI	-
Power Factor	>0.90	1-10 V	-
System Lifetime	30000h	1 Hour Emergency Kit	-
Class	I	3 Hour Emergency Kit	-
Operating Temperature	-20°C / +45°C	Step Dim	-
Standards	LM79/LM80	Another Mounting Type	-

ERP Code	Ceiling Type	Power(W)	Efficiency(lm/W)	Luminous Flux(lm)	Colour Temp.	Dimensions (mm)	Cut Size	Pcs/Pack	Pack Weight(kg)	Accessory
1910139	Surface	10	100	1000	3000K / 4000K / 6500K	100x81x24		20	5,00	
1910140	Surface	30	100	3000	3000K / 4000K / 6500K	161x121x29		20	10,00	
1910141	Surface	50	100	5000	3000K / 4000K / 6500K	219x161x29		20	11,00	
1910142	Surface	100	100	10000	3000K / 4000K / 6500K	271x211x31		10	14,00	
1910143	Surface	150	100	15000	3000K / 4000K / 6500K	322x231x32		10	16,00	
1910144	Surface	200	100	20000	3000K / 4000K / 6500K	380x280x33		8	20,00	









Mechanical Specifications		Optical Specifications	
Body	Aluminum	Light Source	MidPower Led
Ip Raiting	IP66	Reflector	-
IK Rating Body	IK 08	Lens	-
Ral Code	RAL 7001	Diffuser	Tempered Glass
Cable Gland	PG7	CRI	>70
Cable	3x0,75 mm2	Colour Temperature	3000K / 4000K / 6500K
Fire Protection	650°C	Photobiological Risk Group	RG1
Mounting Type	Pole/Ground	Beam angle	45°/60°/90°/120°/Asym
Electrical Specifications		Options	
Input Voltage	220-240 VAC	DALI	✓
Power Factor	>0.95	1-10 V	✓
System Lifetime	50000h	1 Hour Emergency Kit	✓
Class	I	3 Hour Emergency Kit	✓
Operating Temperature	-20°C / +45°C	Step Dim	-
Standards	LM79/LM80	Another Mounting Type	-

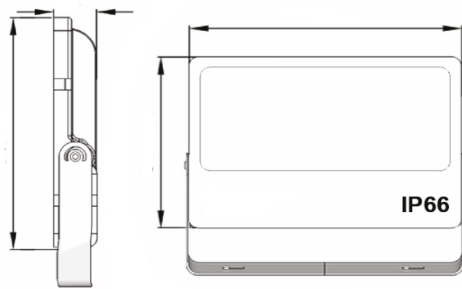
ERP Code	Ceiling Type	Power(W)	Efficiency(l m/W)	Luminous Flux(lm)	Colour Temp.	Dimensions (mm)	Cut Size	Pcs/Pack	Pack Weight(kg)	Accessory
1910145	Surface	60	140	8400	3000K / 4000K / 6500K	247X210X50		1	2,40	
1910146	Surface	80	140	11200	3000K / 4000K / 6500K	247X210X50		1	2,40	
1910147	Surface	100	140	14000	3000K / 4000K / 6500K	247X210X50		1	2,40	
1910148	Surface	120	140	16800	3000K / 4000K / 6500K	340X280X55		1	5,50	
1910149	Surface	150	140	21000	3000K / 4000K / 6500K	340X280X55		1	5,50	
1910150	Surface	200	130	26000	3000K / 4000K / 6500K	340X280X55		1	5,50	
1910151	Surface	230	130	29900	3000K / 4000K / 6500K	340X280X55		1	5,50	
1910152	Surface	260	130	33800	3000K / 4000K / 6500K	508X363X55		1	7,60	
1910153	Surface	300	130	39000	3000K / 4000K / 6500K	508X363X55		1	7,60	
1910154	Surface	360	130	46800	3000K / 4000K / 6500K	508X363X55		1	7,60	





### Technical Drawing

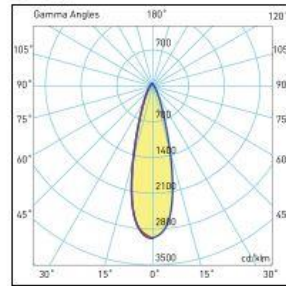
Teknik Çizim



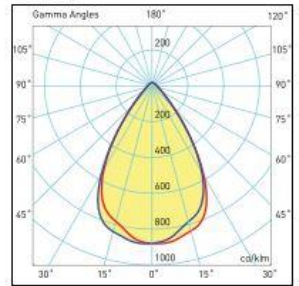
### Light Distribution Curve

Işık Şiddeti Dağılım Eğrisi

30° Lens

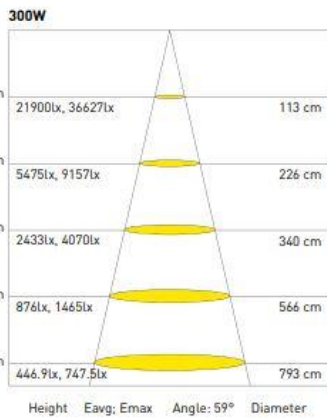


60° Lens

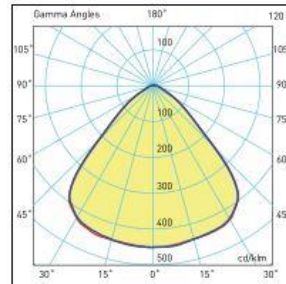


### Cone Diagram

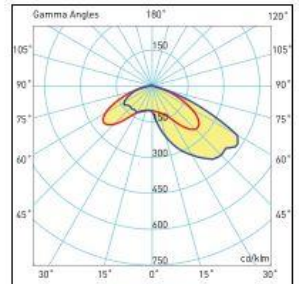
Konik Diagram



90° Lens



Asymmetric / Asimetrik



180.0 — 0.0    270.0 — 90.0     $\eta$ : 1000 0 %





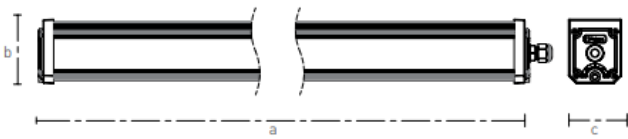
Mechanical Specifications		Optical Specifications	
Body	Aluminum	Light Source	MidPower Led
Ip Raiting	IP66	Reflector	-
IK Rating Body	IK 08	Lens	PC
Ral Code	RAL 7035	Diffuser	Pleksi
Cable Gland	PG7	CRI	>70
Cable	3x0,75 mm <sup>2</sup>	Colour Temperature	3000K / 4000K / Amber/Yeşil/RGB
Fire Protection	650°C	Photobiological Risk Group	RG1
Mounting Type	Surface Mounted	Beam angle	15°/30°/45°
Electrical Specifications		Options	
Input Voltage	220-240 VAC	DMX	✓
Power Factor	>0.95	1-10 V	-
System Lifetime	50000h	1 Hour Emergency Kit	-
Class	I	3 Hour Emergency Kit	-
Operating Temperature	-20°C / +45°C	Step Dim	-
Standards	LM79/LM80	Another Mounting Type	-

ERP Code	Ceiling Type	Power(W)	Efficiency(lm/W)	Luminous Flux(lm)	Colour Temp.	Dimensions (mm)	Length(cm)	Pcs/Pack	Pack Weight(kg)	Accessory
1910145	Surface	12	100	1200	3000K / 4000K / Amber/Yeşil/RGB	52X70X300	30 cm	1	0,40	Stainless Feet
1910146	Surface	18	100	1800	3000K / 4000K / Amber/Yeşil/RGB	52X70X600	60 cm	1	0,80	Stainless Feet
1910147	Surface	36	100	3600	3000K / 4000K / Amber/Yeşil/RGB	52X70X900	90 cm	1	1,20	Stainless Feet
1910148	Surface	48	100	4800	3000K / 4000K / Amber/Yeşil/RGB	52X70X1200	120 cm	1	1,60	Stainless Feet

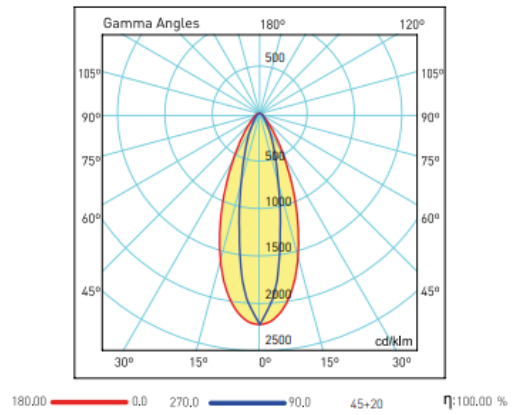


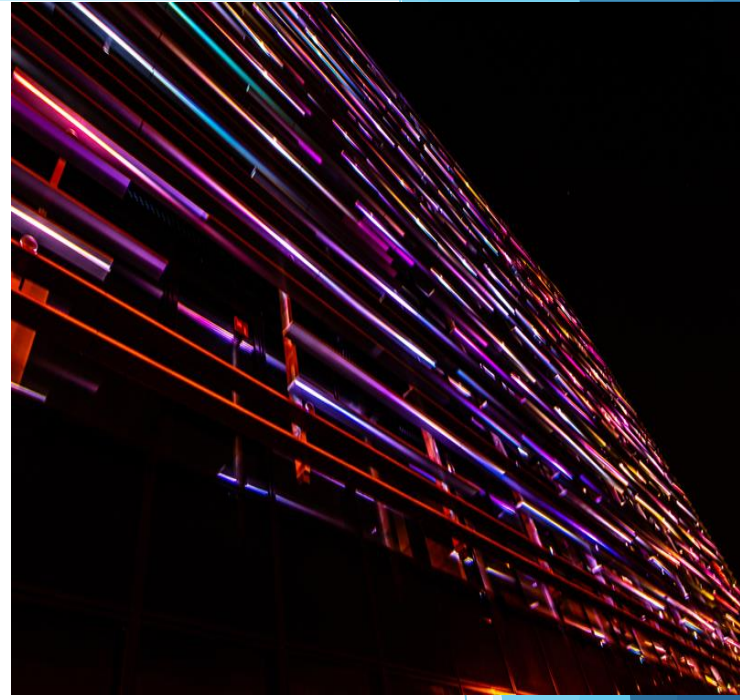


**Technical Drawing**  
Teknik Çizim



**Light Distribution Curve**  
Işık Şiddeti Dağılım Eğrisi





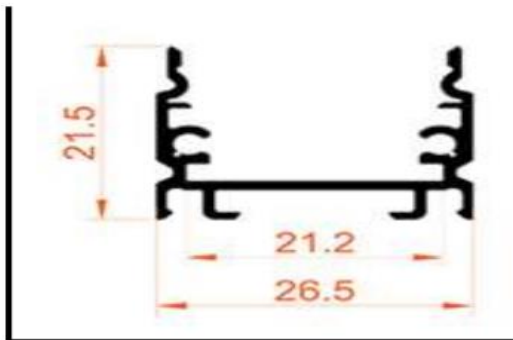
Mechanical Specifications		Optical Specifications	
Body	Aluminum	Light Source	MidPower Led
Ip Raiting	IP67	Reflector	-
IK Rating Body	IK 08	Lens	PC
Ral Code	RAL 7035	Diffuser	Pleksi
Cable Gland		CRI	>70
Cable	0,75 mm2	Colour Temperature	3000K / 4000K / Amber/Yeşil/RGB
Fire Protection	650°C	Photobiological Risk Group	RG1
Mounting Type	Surface Mounted	Beam angle	120°
Electrical Specifications		Options	
Input Voltage	12/24 VDC	DMX	✓
Power Factor	>0.95	1-10 V	-
System Lifetime	50000h	1 Hour Emergency Kit	-
Class	II	3 Hour Emergency Kit	-
Operating Temperature	-20°C / +45°C	Step Dim	-
Standards		Another Mounting Type	-

ERP Code	DC voltage	Power(W)	Efficiency(lm/W)	Luminous Flux(lm)	Colour Temp.	Dimensions (mm)	Length(cm)	Pcs/Pack	Pack Weight(kg)	Accessory
1910159	12/24 V	12	100	1200	3000K / 4000K / Amber/Yeşil/RGB	21X21	100 cm	1	0,30	
1910160	12/24 V	18	100	1800	3000K / 4000K / Amber/Yeşil/RGB	21X21	100 cm	1	0,30	

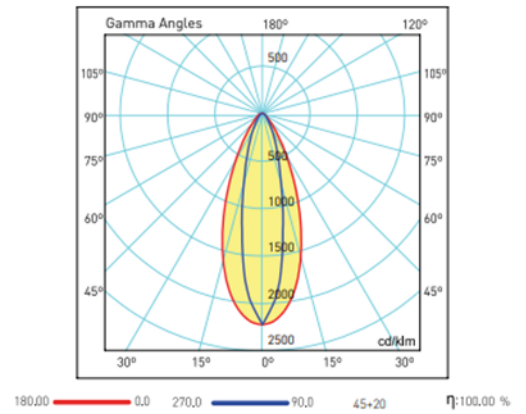




**Technical Drawing**  
Teknik Çizim



**Light Distribution Curve**  
Işık Şiddeti Dağılım Eğrisi





Mechanical Specifications		Optical Specifications	
Body	Aluminum	Light Source	MidPower Led/Power Led
Ip Raiting	IP66	Reflector	-
IK Rating Body	IK 09	Lens	PMMA
Ral Code	RAL 9006	Diffuser	Tempered Glass
Cable Gland		CRI	>70
Cable	3x1,5mm <sup>2</sup>	Colour Temperature	3000K / 4000K / 6500K
Fire Protection		Photobiological Risk Group	RG1
Mounting Type	Pole	Beam angle	Symetric/Asymetric
Electrical Specifications		Options	
Input Voltage	220-240 VAC	DALI	✓
Power Factor	>0.95	1-10 V	✓
System Lifetime	50000h	1 Hour Emergency Kit	✓
Class	I	3 Hour Emergency Kit	✓
Operating Temperature	-20°C / +45°C	Nema/Zaga Application	✓
Standards	LM79/LM80	Another Mounting Type	-

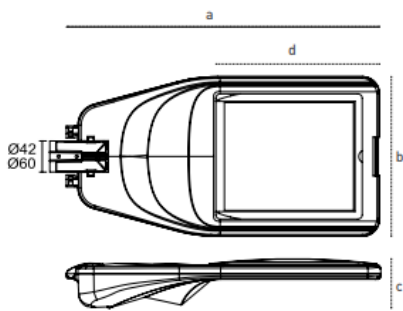
ERP Code	Console Angle	Power(W)	Efficiency(l m/W)	Luminous Flux(lm)	Colour Temp.	Dimensions (mm)	Pole(Ø)	Pcs/Pack	Pack Weight(kg)	Accessory
1910161	0°-15°+15°	120	152	18240	3000K / 4000K / 6500K	575X289X40	40/50/60	1	5,50	
1910162	0°-15°+15°	160	152	24320	3000K / 4000K / 6500K	575X289X40	40/50/60	1	5,50	
1910163	0°-15°+15°	200	144	28800	3000K / 4000K / 6500K	575X289X40	40/50/60	1	5,50	



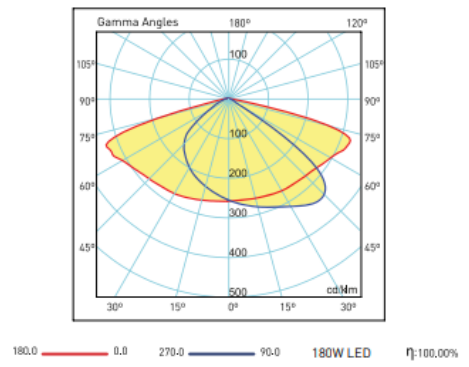




**Technical Drawing**  
Teknik Çizim



**Light Distribution Curve**  
Işık Şiddeti Dağılım Eğrisi



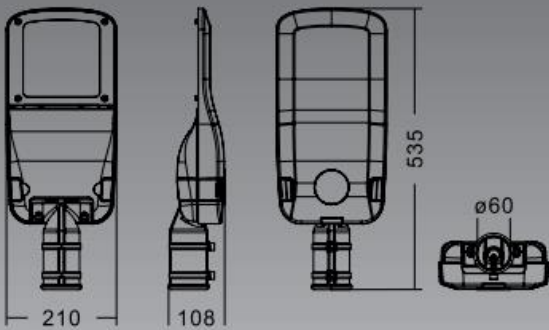


**LED STREET LIGHT**

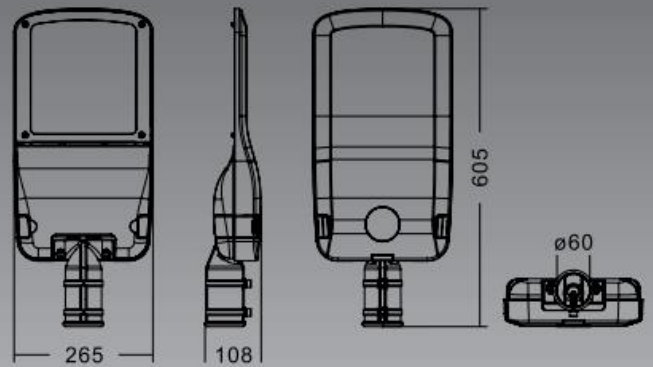
Mechanical Specifications		Optical Specifications	
Body	Aluminum	Light Source	MidPower Led/Power Led
Ip Raiting	IP66	Reflector	-
IK Rating Body	IK 09	Lens	PMMA
Ral Code	RAL 9006	Diffuser	Tempered Glass
Cable Gland		CRI	>70
Cable	3x1,5mm <sup>2</sup>	Colour Temperature	3000K / 4000K / 6500K
Fire Protection		Photobiological Risk Group	RG1
Mounting Type	Pole	Beam angle	Symetric/Asymmetric
Electrical Specifications		Options	
Input Voltage	220-240 VAC	DALI	✓
Power Factor	>0.95	1-10 V	✓
System Lifetime	50000h	1 Hour Emergency Kit	✓
Class	I	3 Hour Emergency Kit	✓
Operating Temperature	-20°C / +45°C	Nema/Zaga Application	✓
Standards	LM79/LM80	Another Mounting Type	-

ERP Code	Console Angle	Power(W)	Efficiency(lm/W)	Luminous Flux(lm)	Colour Temp.	Dimensions (mm)	Pole(Ø)	Pcs/Pack	Pack Weight(kg)	Accessory
1910164	0°-15°+15°	50	156	7800	3000K / 4000K / 6500K	535X210X108	40/50/60	1	3,00	
1910165	0°-15°+15°	80	156	12480	3000K / 4000K / 6500K	535X210X108	40/50/60	1	3,00	
1910166	0°-15°+15°	100	154	15400	3000K / 4000K / 6500K	600X265X108	40/50/60	1	4,00	
1910166	0°-15°+15°	125	154	19250	3000K / 4000K / 6500K	600X265X108	40/50/60	1	4,00	



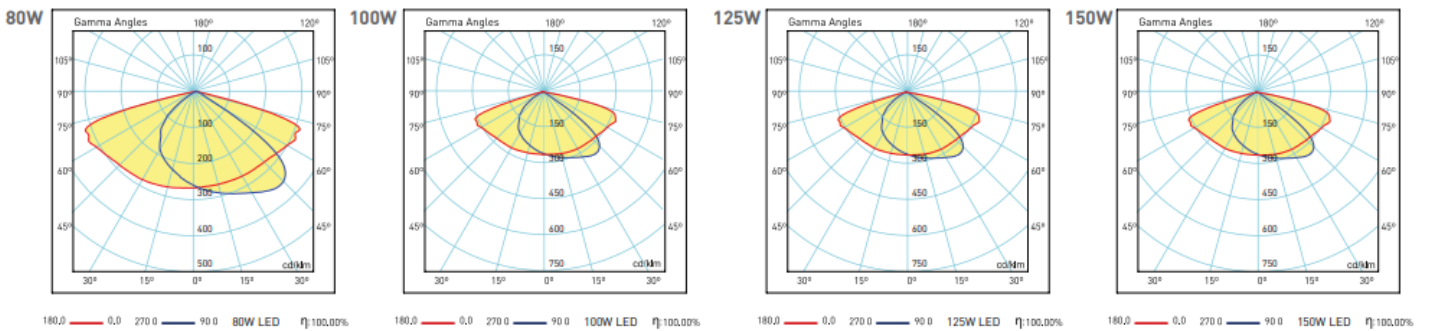


50W



100W

**Light Distribution Curve**  
Işık Şiddeti Dağılım Eğrisi





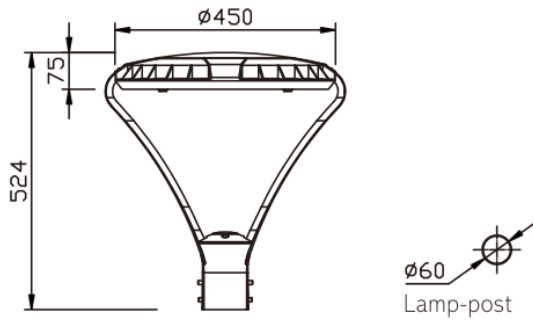
Mechanical Specifications		Optical Specifications	
Body	Aluminum	Light Source	MidPower Led/Power Led
Ip Rating	IP66	Reflector	-
IK Rating Body	IK 09	Lens	PMMA
Ral Code	RAL 9006	Diffuser	Tempered Glass
Cable Gland		CRI	>70
Cable	3x1 mm <sup>2</sup>	Colour Temperature	3000K / 4000K / 6500K
Fire Protection		Photobiological Risk Group	RG1
Mounting Type	Pole	Beam angle	Symetric
Electrical Specifications		Options	
Input Voltage	220-240 VAC	DALI	-
Power Factor	>0.95	1-10 V	-
System Lifetime	50000h	1 Hour Emergency Kit	-
Class	I	3 Hour Emergency Kit	-
Operating Temperature	-20°C / +45°C	Nema/Zaga Application	-
Standards	LM79/LM80	Another Mounting Type	-

ERP Code	Console Angle	Power(W)	Efficiency(lm/W)	Luminous Flux(lm)	Colour Temp.	Dimensions (mm)	Pole(Ø)	Pcs/Pack	Pack Weight(kg)	Accessory
1910167		30	120	3600	3000K / 4000K / 6500K	450X524	60	1		
1910168		60	120	7200	3000K / 4000K / 6500K	450X524	60	1		
1910169		90	120	10800	3000K / 4000K / 6500K	450X524	60	1		
1910170		120	120	14400	3000K / 4000K / 6500K	450X524	60	1		





**Technical Drawing**  
Teknik Çizim





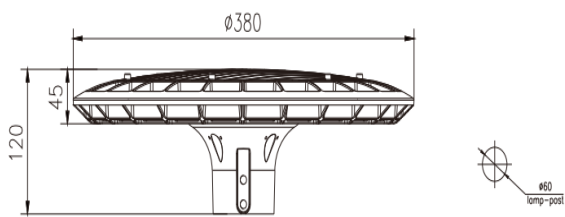
Mechanical Specifications		Optical Specifications	
Body	Aluminum	Light Source	MidPower Led/Power Led
Ip Raiting	IP66	Reflector	-
IK Rating Body	IK 09	Lens	PMMA
Ral Code	RAL 9005	Diffuser	Tempered Glass
Cable Gland		CRI	>70
Cable	3x1 mm <sup>2</sup>	Colour Temperature	3000K / 4000K / 6500K
Fire Protection		Photobiological Risk Group	RG1
Mounting Type	Pole	Beam angle	Symetric
Electrical Specifications		Options	
Input Voltage	220-240 VAC	DALI	-
Power Factor	>0.90	1-10 V	-
System Lifetime	50000h	1 Hour Emergency Kit	-
Class	I	3 Hour Emergency Kit	-
Operating Temperature	-20°C / +45°C	Nema/Zaga Application	-
Standards	LM79/LM80	Another Mounting Type	-

ERP Code	Console Angle	Power(W)	Efficiency(l m/W)	Luminous Flux(lm)	Colour Temp.	Dimensions (mm)	Pole(Ø)	Pcs/Pack	Pack Weight(kg)	Accessory
1910171		60	100	3600	3000K / 4000K / 6500K	380X120	60	1		
1910172		90	100	7200	3000K / 4000K / 6500K	380X120	60	1		
1910173		120	100	10800	3000K / 4000K / 6500K	380X120	60	1		





**Technical Drawing**  
Teknik Çizim





Mechanical Specifications		Optical Specifications	
Body	Aluminum	Light Source	MidPower Led
Ip Rating	IP65	Reflector	-
IK Rating Body	IK 08	Lens	PMMA
Ral Code	RAL 9016	Diffuser	Tempered Glass
Cable Gland	PG7	CRI	>80
Cable	3x0,75 mm <sup>2</sup>	Colour Temperature	4000K / 6500K
Fire Protection	650°C	Photobiological Risk Group	RG1
Mounting Type	Recessed Mounted	Beam angle	90°/120°/
Electrical Specifications		Options	
Input Voltage	220-240 VAC	DALI	✓
Power Factor	>0.95	1-10 V	✓
System Lifetime	50000h	1 Hour Emergency Kit	
Class	II	3 Hour Emergency Kit	
Operating Temperature	-20°C / +45°C	Step Dim	
Standards	LM79/LM80	Another Mounting Type	

ERP Code	Ceiling Type	Power(W)	Efficiency(lm/W)	Luminous Flux(lm)	Colour Temp.	Dimensions (mm)	Cut Size	Pcs/Pack	Pack Weight(kg)	Accessory
1910174	Canopy	80W	140	11200	4000K / 6500K	425x425x75	350x350	1	5,80	
1910175	Canopy	120W	140	16800	4000K / 6500K	425x425x75	350x350	1	5,80	
1910176	Canopy	150W	135	20250	4000K / 6500K	425x425x75	350x350	1	5,80	

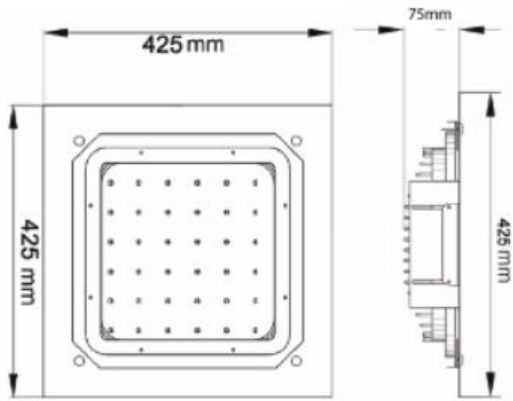






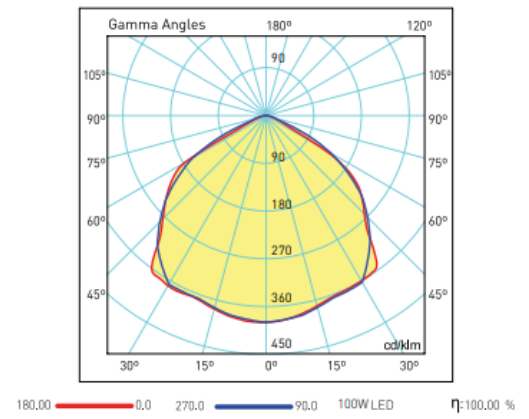
### Technical Drawing

Teknik Çizim



### Light Distribution Curve

Işık Şiddeti Dağılım Eğrisi





[www.averalighting.com](http://www.averalighting.com)

*TRUTH OF THE LIGHT*



AVERA AYDINLATMA VE ENERJİ SAN.TİC.LTD

Velibaba Mahallesi Mimar Sinan Caddesi  
Filika Sok. No:1/46 Post Code:34896  
Pendik/İstanbul/Turkey

Phone +90 (553) 592 27 42  
E-mail [info@averalighting.com](mailto:info@averalighting.com)